

AC/DC Switching Adapter-Single Output



Dimension : L100×W50×H33mm
AC Input : IEC 60320 C6,C8,C14

FEATURES

- Single Output to 30 Watts
- Regulated Output $\pm 5\%$ with Low Ripple Noise
- RoHS Compliant
- CEC Compliant
- Over Current and Voltage Protection (Auto Recovery)
- Over Temperature Protection (Latch Off)
- Short Circuit Protection

ELECTRICAL SPECIFICATIONS

- Input range : 100-240VAC (Full Range)
- Frequency : 50 - 60Hz
- Input current (rms) : 0.7 - 0.45 A
- Efficiency : Meet Level V; ERP Stage 2 Certified
- Output Voltage : +5 V~ +36V
- Maximum power (Po) : 30W
- Hold-up time : > 10 ms typical at full load @ 115VAC
- Input Protection : Internal Primary Current Fuse Inrush Limiting

SAFETY STANDARDS

- UL / EN 60601-1
- TUV EN60950
- CB IEC 60950
- PSE

EMI STANDARDS

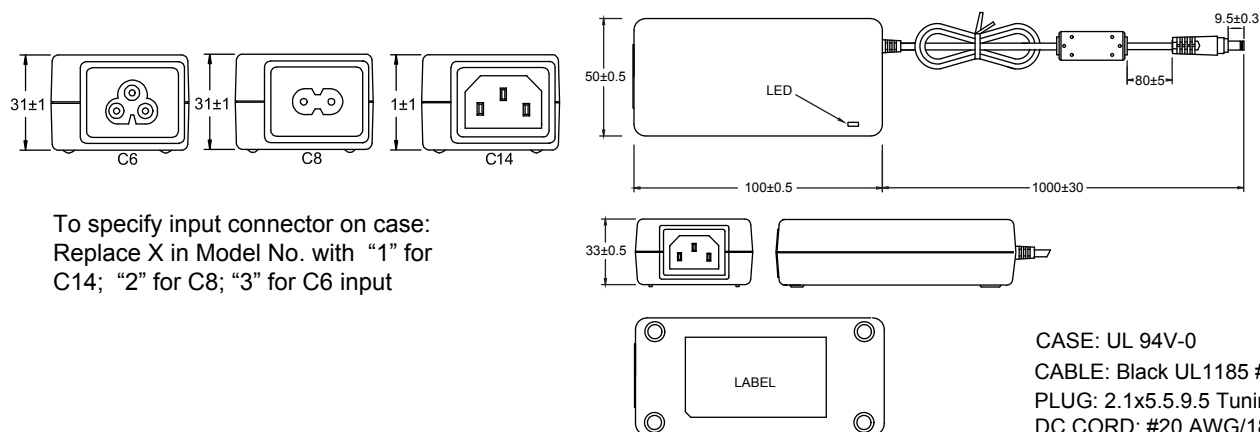
- EN 55011 Class B
- EN 61000-3-2, 3
- IEC 60601-1-2

ENVIRONMENTAL

- Operating temperature : 0°C to +40°C
- Storage temperature : -20°C to +80°C
- MTBF : 300,000 Calculated Hours @ 25°C

Model No.	Output Rating	Minimum Load	Maximum Load	Po (Max.)	Average Efficiency	Ripple & Noise (Vp-p)
APT30-5-X	5.0V	0.0A	4.0A	20W	> 70.56%	100mV
APT30-5.1-X	5.0V	0.0A	5.0A	25W	> 70.56%	100mV
APT30-7.5-X	7.5V	0.0A	4.0A	30W	> 70.56%	100mV
APT30-9.0-X	9.0V	0.0A	3.34A	30W	> 70.56%	100mV
APT30-12-X	12.0V	0.0A	2.50A	30W	> 70.56%	120mV
APT30-15-X	15.0V	0.0A	2.00A	30W	> 70.56%	150mV
APT30-18-X	18.0V	0.0A	1.67A	30W	> 70.56%	180mV
APT30-24-X	24.0V	0.0A	1.25A	30W	> 70.56%	240mV
APT30-36-X	36.0V	0.0A	0.84A	30W	> 70.56%	360mV

Note: 1. Ripple & Noise are measured using 200MHz. bandwidth oscilloscope and output are terminated with .1uF ceramic capacitor & in parallel with 47uF aluminum capacitor at full load and nominal line



To specify input connector on case:
Replace X in Model No. with "1" for C14; "2" for C8; "3" for C6 input

CASE: UL 94V-0
CABLE: Black UL1185 #16AWG
PLUG: 2.1x5.5x9.5 Tuning Fork Contact
DC CORD: #20 AWG/18 AWG/16 AWG



SMP TECHNOLOGY, INC.

5900 Butler Lane, Scotts Valley, CA 95066

Tel : (831) 440-9191 Fax : (831) 427-7570

http : //www.smp-tech.com

E-Mail : sales@smp-tech.com