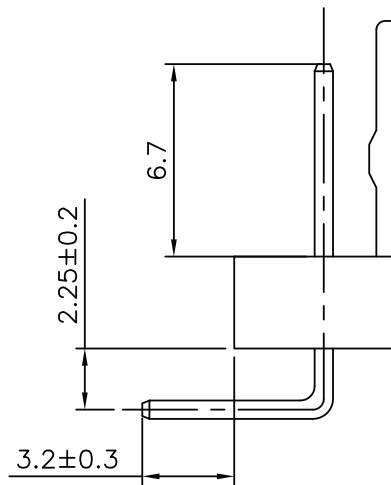
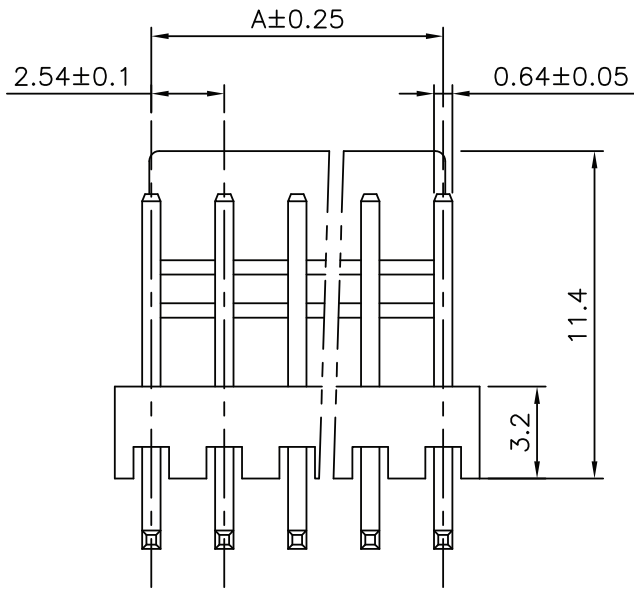


Recommad PCB Layout



# of Contacts	Dimensions(mm)	
	A	B
2	2.54	5.08
3	5.08	7.62
4	7.62	10.16
5	10.16	12.70
6	12.70	15.24
7	15.24	17.78
8	17.78	20.32
9	20.32	22.86
10	22.86	25.40
11	25.40	27.94
12	27.94	30.48
13	30.48	33.02
14	33.02	35.56
15	35.56	38.10

**ELECTRICAL:**

CURRENT RATING: 3A AC, DC  
 VOLTAGE RATING: 250V AC MAX.  
 OPERATING TEMPERATURE: -25 ° TO +85 °C  
 CONTACT RESISTANCE: 20 MILLIOHM MAX.  
 INSULATION RESISTANCE: 1000 MEGAOHM MIN.  
 VOLTAGE WITHSTANDING: 1000V AC / MINUTE

**MATERIAL:**

CONTACT MATERIAL: COPPER ALLOY  
 WAFER MATERIAL: NYLON 6/6 UL 94V-2  
 PACKAGING: 1,000 Pcs/ Bag

**HOW TO ORDER:**

W 0 1 9 - X X 0 3 - 1 2 X - Z

**NUMBER OF CONTACTS:**  
02THRU15

**CONTACT PLATING**

- 1-TIN PLATED
- 2-GOLDFLASH
- 3-10u" GOLD
- 5-30u" GOLD

**RoHS COMPLIANT**

Rev	Drawn	Checked	Approved	Date
0	B.S.	S.M.	S.M.	5/31/07

**SMP TECHNOLOGY, INC.**

2.54mm Pitch, Right Angle, Inverted, Locking Type

SCALE: N/A

TOL. DEC. .X +/- 0.3 .XX +/- 0.2 .XXX +/- 0.1 ANGLE +/- UNIT: mm

SERIES: W019-XX03-12X-Z