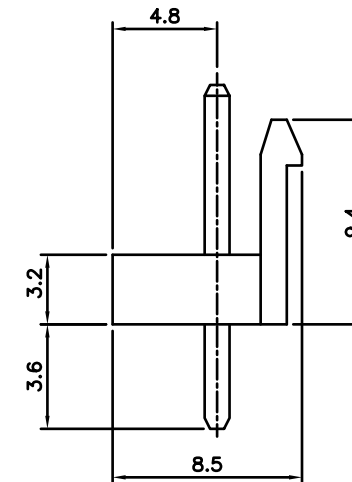
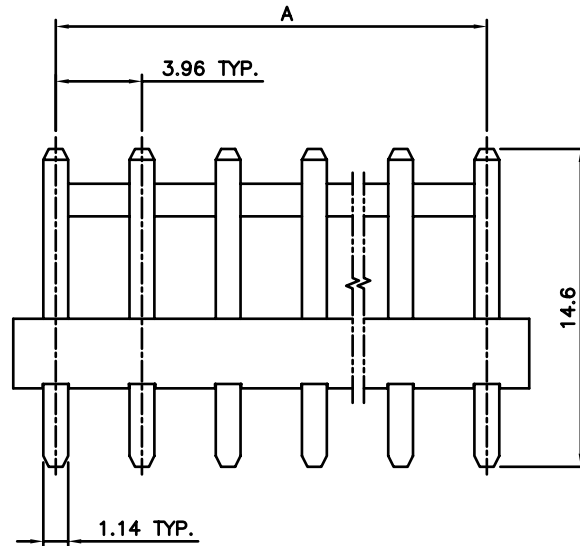


Recommend PCB Layout



Poles	Dimension(mm)	
	A	B
2	3.96	7.86
3	7.92	11.82
4	11.88	15.78
5	15.84	19.74
6	19.80	23.70
7	23.76	27.66
8	27.72	31.62
9	31.68	35.58
10	35.64	39.54
11	39.60	44.00
12	43.56	48.00
13	47.52	51.42
14	51.48	55.38
15	55.44	59.34

ELECTRICAL:

CURRENT RATING: 7A AC/DC
 VOLTAGE RATING: 250V AC Max.
 CONTACT RESISTANCE: 20 milliohm Max.
 INSULATION RESISTANCE: 1000 Megaohm Min.
 DIELECTRIC WITHSTANDING VOLTAGE:
 1500V (rms) AC for 1 Minute
 OPERATING TEMPERATURE: -25°C to +85°C

MATERIAL:

CONTACT: Brass, Tin Plated
 BASE: Nylon 66 UL94V-0
 QTY: 1000 pcs./Bag

HOW TO ORDER:

W 0 1 3 - X X 0 2 - 0 0 0 - Z

NUMBER OF CONTACTS: 02 - 15
TYPE: 02 - Straight
RoHS COMPLIANT

Rev	Drawn	Checked	Approved	Date
0	A.M.	S.M.	S.M.	11/18/02
A	B.S.	S.M.	S.M.	08/04/08

SMP TECHNOLOGY, INC.

Header, 3.96mm Pitch, Vertical w/Lock