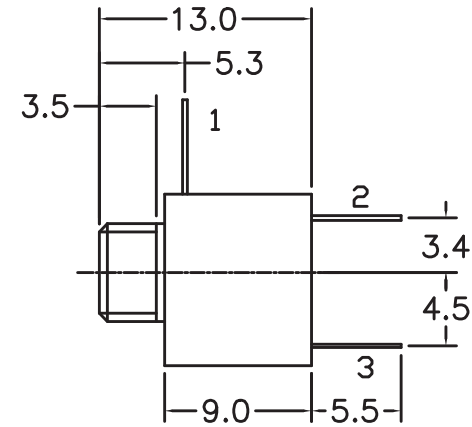
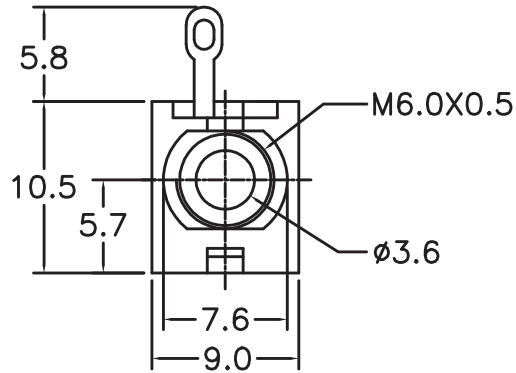
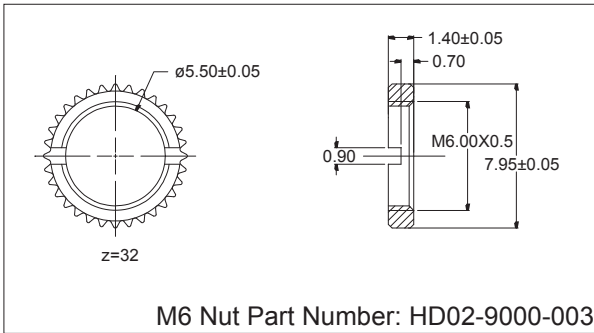
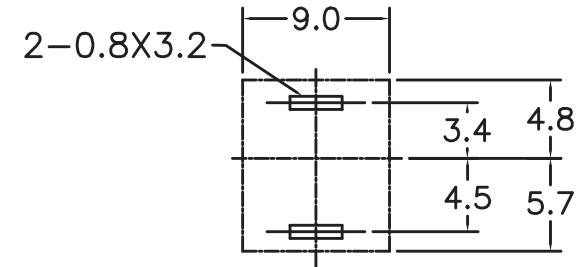
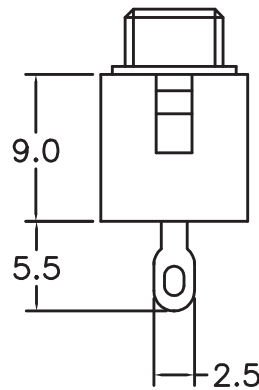


M6 Nut Packaged Separately



SCHEMATIC NUMBER 1



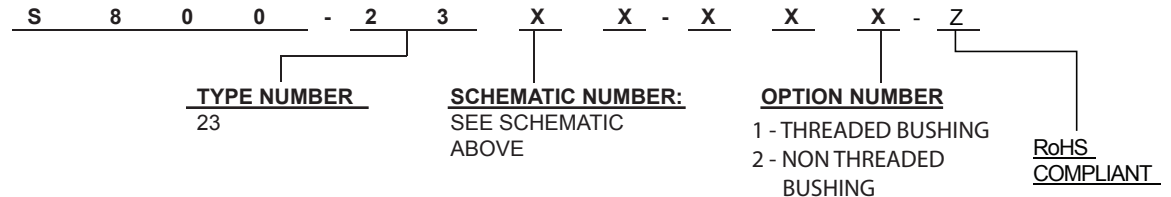
ELECTRICAL:

CURRENT: 0.5A
 CONTACT RESISTANCE: < 50 milliohms
 INSULATOR RESISTANCE: > 100 Megaohms
 DIELECTRIC WITHSTANDING VOLTAGE: 500VAC FOR 1 MIN.

MATERIAL:

INSULATOR : PBT + 15% FG, UL94V-0
 INSULATOR HIGH TEMPERATURE: NYLON 66 + 30% FG, UL94V-0
 BUSHING: NICKEL PLATED BRASS
 CONTACT SPRINGS: PHOSPHOR BRONZE
 SHUNT TERMINALS: TIN PLATED BRASS

HOW TO ORDER:



Rev	Drawn	Checked	Approved	Date
0	S.E	S.M.	S.M.	6/9/98
A	B.S.	S.M.	S.M.	07/23/08

SMP TECHNOLOGY, INC.

Audio Jack 3.5mm, Panel Mount