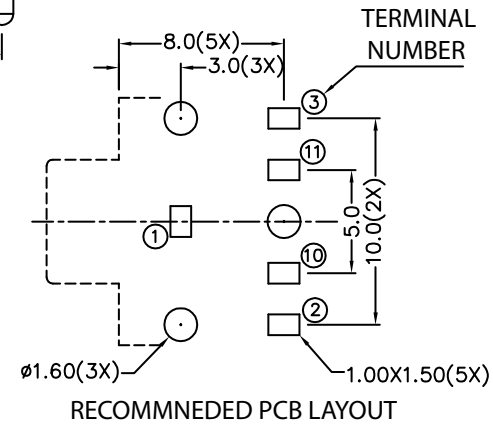
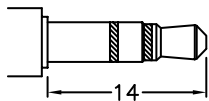


ISOMETRIC VIEW

NON - THREADED  
METAL BUSHING



RECOMMENDED PCB LAYOUT



RECOMMENDED Ø3.5 mm MATING PLUG

**ELECTRICAL:**

CURRENT: 0.5A  
CONTACT RESISTANCE: < 50m  
INSULATOR RESISTANCE: > 100M  
DIELECTRIC WITHSTANDING VOLTAGE: 500VAC FOR 1 MIN.

**MATERIAL:**

INSULATOR NORMAL: PBT + 15% FG, UL94V-0  
INSULATOR COVER - PBT  
BUSHING: NICKEL PLATED BRASS  
CONTACT SPRINGS: PHOSPHOR BRONZE  
SHUNT TERMINALS: TIN PLATED BRASS  
GROUND TERMINALS: TIN PLATED BRASS

PART NUMBER	S800-1611-020-Z	S800-1621-020-Z	S800-1631-020-Z	S800-1641-020-Z	S800-1651-020-Z
SCHEMATIC					

**HOW TO ORDER:**

S 8 0 0 - 1 6 X 1 - 0 2 0 - Z

**TYPE NUMBER** 16      **SCHEMATIC NUMBER:** SEE SCHEMATIC NUMBER ABOVE      **RoHS COMPLIANT**

Rev	Drawn	Checked	Approved	Date
0	S.E.	S.M.	S.M.	6/9/98
A	B.S.	S.M.	S.M.	07/23/08

**SMP TECHNOLOGY, INC.**  
Stereo Jack 3.5 mm; Threaded Bushing; Black Insulator