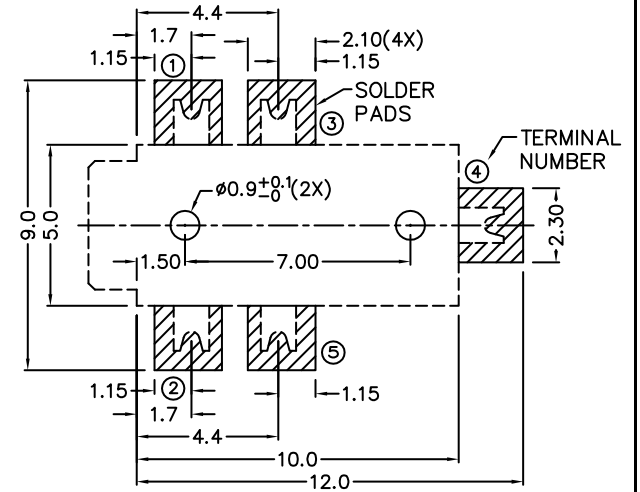
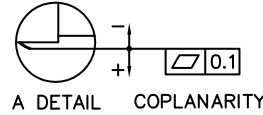
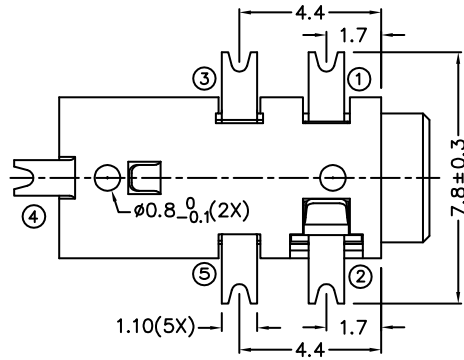
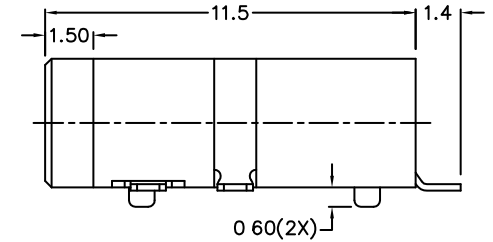
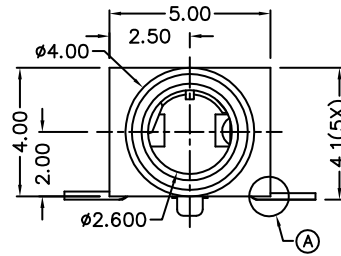
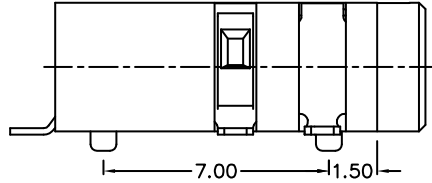
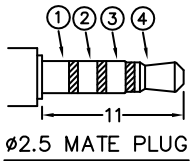


Isometric View



Recommended PCB Layout



2.5 MATE PLUG

SCHEMATIC #1	SCHEMATIC #2

DURABILITY:
 INSERTION/WITHDRAWALS :5000 Cycles
ELECTRICAL:
 RATED LOAD: 15 VDC @20 ma
 INSULATOR RESISTANCE: >1000MOhms Min.
 DIELECTRIC WITHSTANDING VOLTAGE: 500VAC FOR 1 MIN.
 CONTACT RESISTANCE: < 50 milli-ohms
MATERIAL:
 INSULATOR MATERIAL: NYLON PPA
 CONTACTS: PHOSPHOR BRONZE - SILVER PLATED

HOW TO ORDER:

S **7** **1** **3** - **0** **4** **X** **2** - **1** **2** **1** **1** - **Z**

TYPE NUMBER 04 **SCHEMATIC NUMBER:** SEE SCHEMATIC NUMBER ABOVE **RoHS COMPLIANT**

PACKAGING 1 - Tape & Reel

Rev	Drawn	Checked	Apprvd.	Date
0 Issued	B.S.	S.M.	S.M.	11/05/14

SMP TECHNOLOGY, INC.

Stereo Ear Phone Jack: 2.5mm; Type 4

SCALE :N/A

TOL. DEC. .X +/- 0.20 .XX +/- 0.15 .XXX +/- 0.10 ANGLE +/- 3° UNIT: mm

P/N: S713-04X2-1211-Z