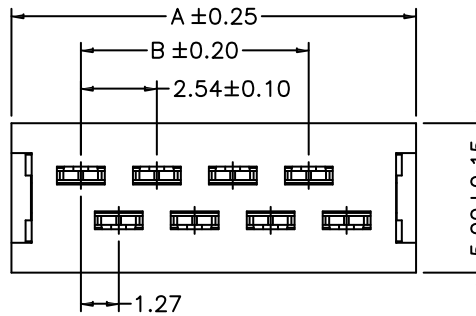
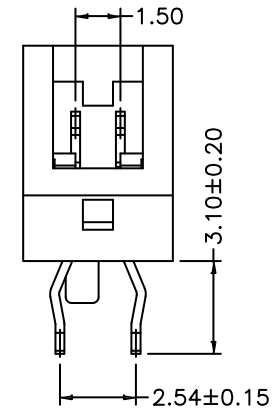
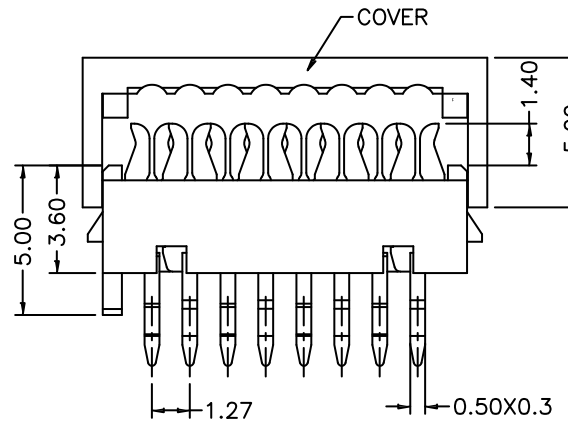


Recommended PCB Layout



DIMENSION(mm)

CONTACTS	A	B
04	8.45	2.54
06	10.99	5.08
08	13.53	7.62
10	16.07	10.16
12	18.61	12.70
14	21.15	15.24
16	23.69	17.78
18	26.23	20.32
20	28.77	22.86
22	31.31	25.40
24	33.85	27.94
26	36.39	30.48



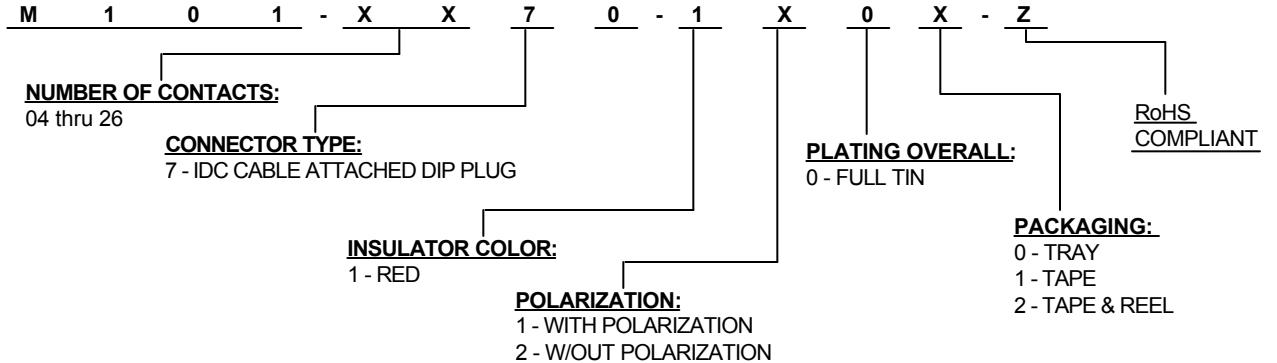
ELECTRICAL:

CURRENT RATING: 1.0
 CONTACT RESISTANCE: 20 mΩ Max.
 INSULATOR RESISTANCE: 1000 MΩ Min.
 DIELECTRIC WITHSTANDING VOLTAGE: 500VAC FOR 1 MIN.
 OPERATING TEMPERATURE: -40° C TO +105° C

MATERIAL:

INSULATOR: PBT (UL94V-0)
 CONTACT MATERIAL: Copper Alloy

HOW TO ORDER:



Rev	Drawn	Checked	Approved	Date
0 Issued	B.S.	S.M.	S.M.	05/01/13

SMP TECHNOLOGY, INC.
 Micro-Match Miniature Connector, Cable Attached DIP Plug

TOL. DEC. .X +/- 0.35 .XX +/- 0.25 .XXX +/- ANGLE +/- UNIT: mm

SERIES: M101-XX70-1X0X-Z Pg: 1