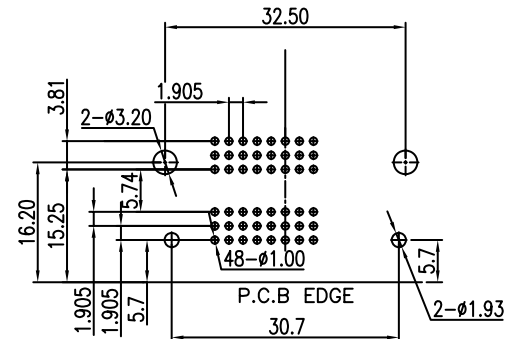
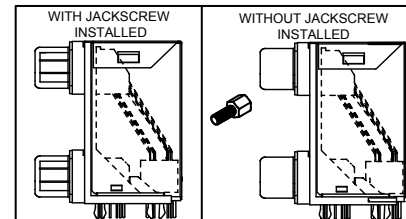
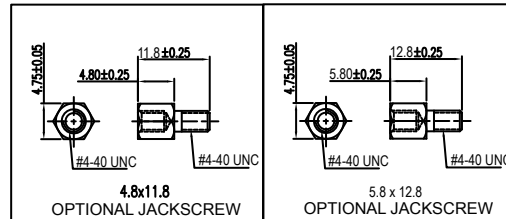
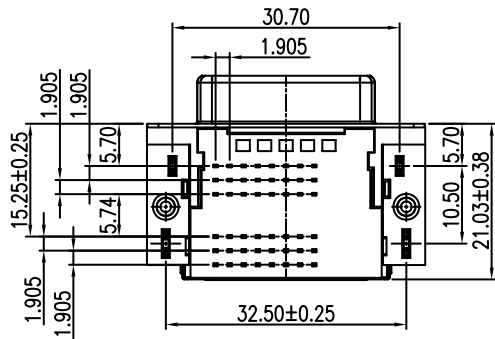


ISOMETRIC VIEW

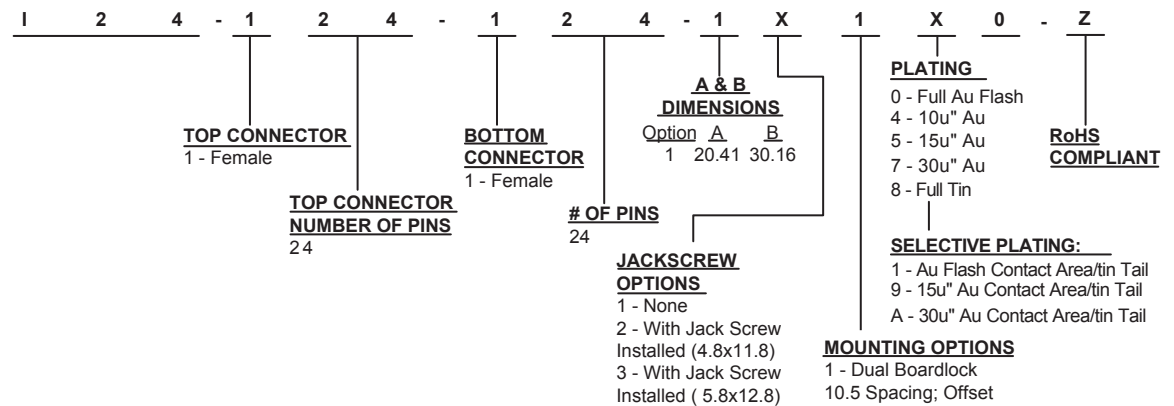


RECOMMENDED PCB LAYOUT



* JACKSCREWS ARE AVAILABLE BULK PACKAGED - CONTACT SMP TECHNOLOGY

HOW TO ORDER:



ELECTRICAL:

CURRENT RATING: 1.5A
 CONTACT RESISTANCE: 30mohm MAX
 INSULATOR RESISTANCE: > 1000Mohm
 DIELECTRIC WITHSTANDING VOLTAGE: 500V AC
 OPERATING TEMPERATURE: -20°C TO +85°C

MATERIAL:

CONTACT: COPPER ALLOY
 INSULATOR: PBT & 30% GLASS FIBER (UL94V-0)

Rev	Drawn	Checked	Approved	Date
0	B.S.	S.M.	S.M.	05/29/13
A	B.S.	S.M.	S.M.	11/04/15
B	B.S.	S.M.	S.M.	08/16/16

SMP TECHNOLOGY, INC.

DVI Connector; Dual Stacked, 24/24, Right Angle, 30.16mm Height

SCALE: N/A

TOL. DEC. .X +/- 0.25 .XX +/- 0.20 .XXX +/- 0.15 ANGLE +/- UNIT: mm

P/N: I24-124-124-1X1X0-Z