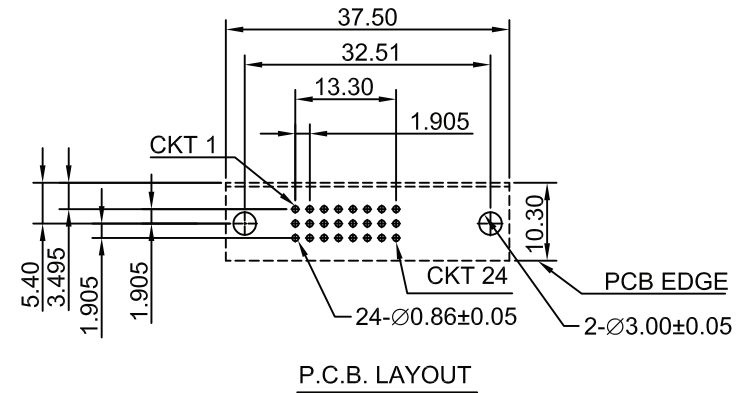


FEMALE JACKSCREW



P.C.B. LAYOUT

HOW TO ORDER:

1 0 0 8 - 2 4 1 0 - 1 0 X - Z

NO. of POSITIONS:
- 24

ORIENTATION:
1 - VERTICAL

HARDWARE:
0 - 4-40 THREADED INSERT
1 - 4-40 THREADED INSERT
w/ FEMALE JACKSCREW ATTACHED

TAIL LENGTH "A" :
1 - 2.60

PLATING OVERALL:

- 0 - FULL Au FLASH
- 4 - 10u" Au
- 5 - 15u" Au
- 7 - 30u" Au

RoHS COMPLIANT

SELECTIVE PLATING:

- 1 - Au FLASH CONTACT AREA/TIN TAIL
- 9 - 15u" Au CONTACT AREA/TIN TAIL
- A - 30u" Au CONTACT AREA/TIN TAIL

MATERIAL:

INSULATOR: NYLON 66+30%GF UL94V-0
CONTACT: COPPER ALLOY
CONTACT FINISH: GOLD PLATING OVER NICKEL ON CONTACT AREA, TIN PLATING ON SOLDER TAIL.
BOARDLOCK: BRASS, TIN PLATED

SPECIFICATION:

CURRENT RATING: 1.5 AMP
DIELECTRIC WITHSTANDING: 500V DC RMS.
INSULATION RESISTANCE: 1000 MΩ MIN.
CONTACT RESISTANCE: 20mΩ MAX.
OPERATING TEMPERATURE: -20°C~+85°C.

Rev	Drawn	Checked	Approved	Date
0 Issued	B.S.	S.M.	S.M.	12/15/06

SMP TECHNOLOGY, INC.

DVI Connector, 24 Position, Straight

SCALE N/A

TOL. DEC. .X +/- 0.38 .XX +/- 0.25 .XXX +/- 0.20 ANGLE +/- 5° UNIT: mm

P/N: I008-2410-10X-Z Pg: 1