

HOW TO ORDER:

F 2 1 6 - X X 2 2 - 1 0 2 - Z X

NUMBER OF CONTACTS:
13 - 71

RoHS COMPLIANT

CONTACT PLATING OPTION:
BLANK - Tin Plating
1 - Au Flash Plating

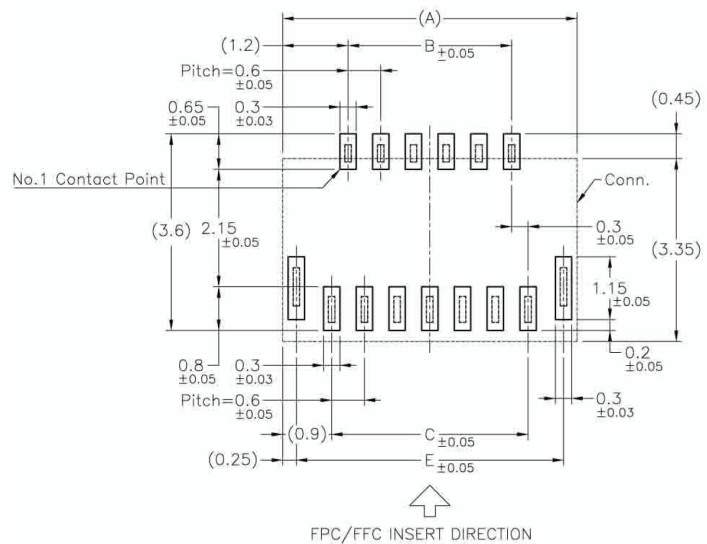
ELECTRICAL:

CURRENT RATING: 0.2A
VOLTAGE RATING: 30 VDC
OPERATING TEMPERATURE: -25°C to +85°C

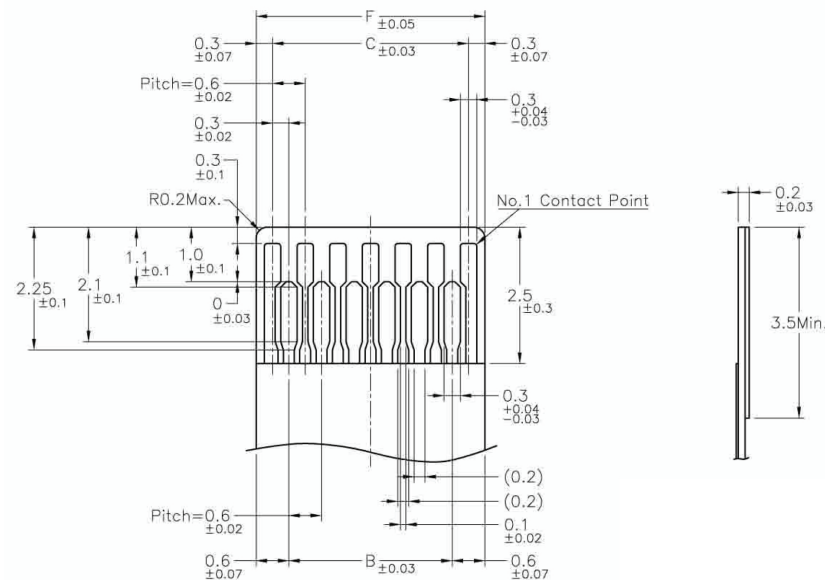
MATERIAL:

HOUSING: LCB UL94V-0
SLIDER: UL94V-0 Nylon 46
CONTACT PLATING: Copper Alloy /UNDER PLATING: Nickel (50μ") MIN.

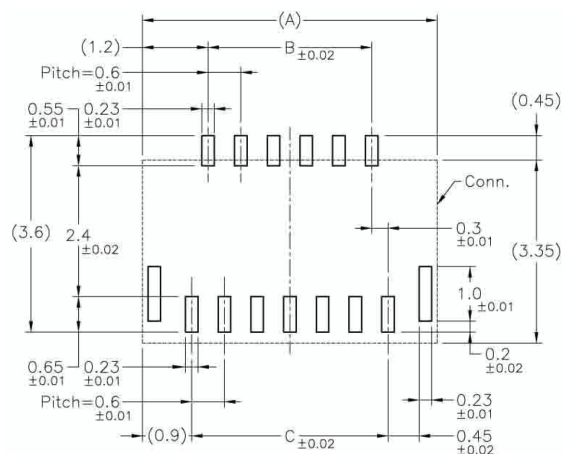
| | | | | |
|-----------|-------------|--------------|---------------|-------------------------------------------------------------|
| Rev | | Apv. | Date | SMP TECHNOLOGY, INC. |
| 0 | Issued | WHS | 6/11/06 | |
| | | | | |
| SCALE | N/A | MAT'L | FINISH | FFC Connectors, 0.3mm Pitch, Side Entry, ZIF, Surface Mount |
| TOL. DEC. | .X +/- 0.30 | .XX +/- 0.20 | .XXX +/- 0.10 | ANGLE +/- UNIT: mm |
| | | | | P/N: F 2 1 6 - X X 2 2 - 1 0 2 - Z X |
| | | | | Pg: 1 of 2 |



PCB LAYOUT



APPLICABLE FPC



RECOMMENDED METAL MASK PATTERN

| No. of Contacts | Catalog No. | Dim. A | Dim. B | Dim. C | Dim. D | Dim. E | Dim. F |
|-----------------|--------------------|--------|--------|--------|--------|--------|--------|
| 13 | F216 - 13 RL - TAx | 5.4 | 3.0 | 3.6 | 4.23 | 4.9 | 4.2 |
| 15 | F216 - 15 RL - TAx | 6.0 | 3.6 | 4.2 | 4.83 | 5.5 | 4.8 |
| 19 | F216 - 19 RL - TAx | 7.2 | 4.8 | 5.4 | 6.03 | 6.7 | 6.0 |
| 21 | F216 - 21 RL - TAx | 7.8 | 5.4 | 6.0 | 6.63 | 7.3 | 6.6 |
| 23 | F216 - 23 RL - TAx | 8.4 | 6.0 | 6.6 | 7.23 | 7.9 | 7.2 |
| 25 | F216 - 25 RL - TAx | 9.0 | 6.6 | 7.2 | 7.83 | 8.5 | 7.8 |
| 27 | F216 - 27 RL - TAx | 9.6 | 7.2 | 7.8 | 8.43 | 9.1 | 8.4 |
| 31 | F216 - 31 RL - TAx | 10.8 | 8.4 | 9.0 | 9.63 | 10.3 | 9.6 |
| 33 | F216 - 33 RL - TAx | 11.4 | 9.0 | 9.6 | 10.23 | 10.9 | 10.2 |
| 35 | F216 - 35 RL - TAx | 12.0 | 9.6 | 10.2 | 10.83 | 11.5 | 10.8 |
| 39 | F216 - 39 RL - TAx | 13.2 | 10.8 | 11.4 | 12.03 | 12.7 | 12.0 |
| 41 | F216 - 41 RL - TAx | 13.8 | 11.4 | 12.0 | 12.63 | 13.3 | 12.6 |
| 45 | F216 - 45 RL - TAx | 15.0 | 12.6 | 13.2 | 13.83 | 14.5 | 13.8 |
| 49 | F216 - 49 RL - TAx | 16.2 | 13.8 | 14.4 | 15.03 | 15.7 | 15.0 |
| 51 | F216 - 51 RL - TAx | 16.8 | 14.4 | 15.0 | 15.63 | 16.3 | 15.6 |
| 57 | F216 - 57 RL - TAx | 18.6 | 16.2 | 16.8 | 17.43 | 18.1 | 17.4 |
| 71 | F216 - 71 RL - TAx | 22.8 | 20.4 | 21.0 | 21.63 | 22.3 | 21.6 |

| | | | | | | | | |
|-----------|-------------|--------------|---------------|-----------|-------------------------------------------------------------|-------------------------------|-----------------------------|-------|
| Rev | | | | | Apv. | Date | SMP TECHNOLOGY, INC. | |
| 0 | Issued | | | | WHS | 6/11/06 | | |
| SCALE | N/A | MAT'L | FINISH | | FFC Connectors, 0.3mm Pitch, Side Entry, ZIF, Surface Mount | | | |
| TOL. DEC. | .X +/- 0.30 | .XX +/- 0.20 | .XXX +/- 0.10 | ANGLE +/- | UNIT: mm | P/N: F 216 - XX 22 - 102 - ZX | | Pg: 2 |