

LONG BODY TYPE DIMENSION(mm)

CONTACTS	A	B	C
60	36.83	43.20	39.18
68	41.91	48.30	44.26
72	44.45	50.80	46.80
80	49.53	55.90	51.88

STANDARD BODY TYPE DIMENSION(mm)

CONTACTS	A	B
10	5.08	11.20
20	11.43	17.55
30	17.78	23.90
40	24.13	30.30
50	30.48	36.70
60	36.83	43.00
70	43.18	49.50
80	49.53	55.80
90	55.88	62.10
100	62.33	68.50

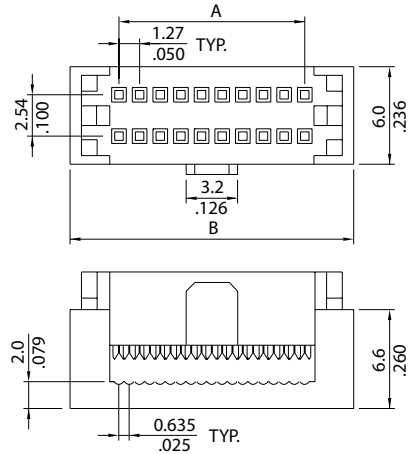
ELECTRICAL:

CURRENT: 0.5A
 CONTACT RESISTANCE: < 30m Ω
 INSULATOR RESISTANCE: > 1000M Ω
 DIELECTRIC WITHSTANDING VOLTAGE: 500VAC FOR 1 MIN.
 OPERATING TEMPERATURE: -40° C TO +105° C

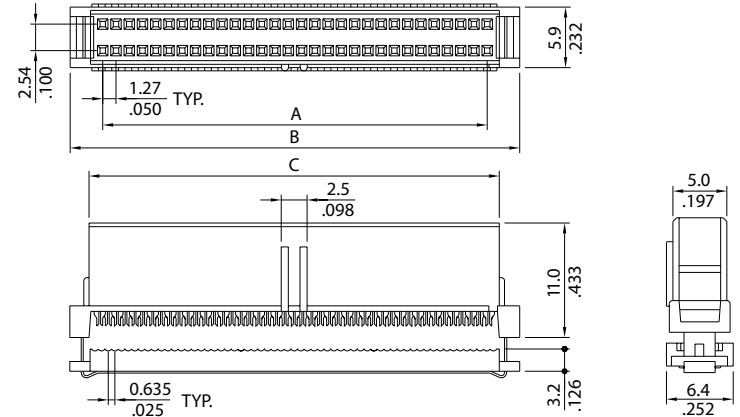
MATERIAL:

INSULATOR: GLASS FILLED POLYESTER(UL94V-0)
 CONTACT: COPPER ALLOY

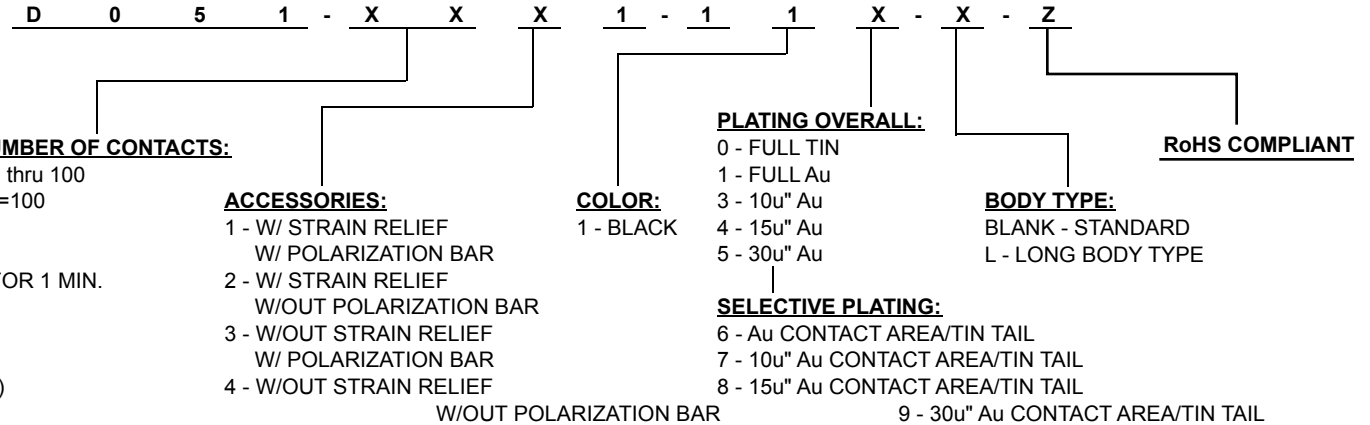
STANDARD BODY TYPE



LONG BODY TYPE



HOW TO ORDER:



Rev	Drawn	Checked	Approved	Date
0 Issued	S.E.	S.M.	S.M.	1/15/97
A Revised for RoHS Compliance	G.T.	S.M.	S.M.	11/22/05
SCALE	MAT'L	FINISH	IDC Connector, 1.27mm X 2.54mm Spacing	
TOL. DEC.	.X +/- 0.35	.XX +/- 0.25	.XXX +/-	ANGLE +/- UNIT: mm/in

SMP TECHNOLOGY, INC.

SERIES: D 0 5 1-XXX1-11X-X-Z

Pg: 1