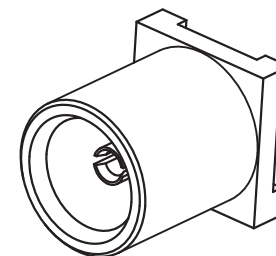
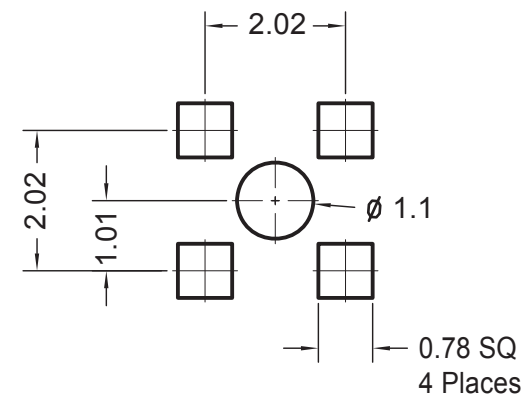
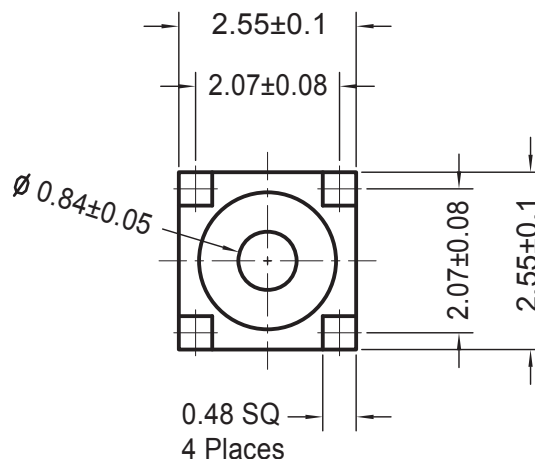
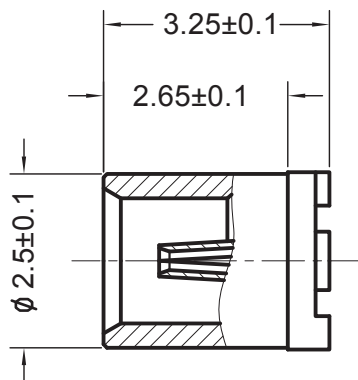


03	CENTER PIN	Be Cu	GOLD	1
02	INSULATOR	TEFLON	NONE	1
01	BODY	BRASS	GOLD	1
NO	DESCRIPTION	MATERIAL	FINISH	Q'TY



Isometric View



Recommended PCB Layout Dimensions

**ELECTRICAL:**

TEST VOLTAGE: 500V RMS 50 Hz @ SEA LEVEL

WORKING VOLTAGE: 170V RMS

VSWR: ≤ 1.25

INSERTION LOSS: 0.1dB @ 1 GHz

IMPEDENCE: 50 ohm

CONTACT RESISTANCE: < 10mΩ

INSULATOR RESISTANCE: > 1000MΩ

DIELECTRIC WITHSTANDING VOLTAGE: 500V RMS, 50Hz

OPERATING VOLTAGE: 170V RMS

**MATERIAL:**

BODY: BRASS, Au PLATING

CENTER CONTACT: BERYLLIUM COPPER, Au PLATING

INSULATOR: PTFE

OPERATING TEMPERATURE: -55° C to +155° C

**MECHANICAL:**

DURABILITY: 500 CYCLES Min.

INSERTION FORCE: 3.0 lbs Max.

**HOW TO ORDER:**

C 6 0 0 - 5 1 0 0 - 0 0 0 0 - Z

**RoHS  
COMPLIANT**

Rev	Description	Drawn	Checked	Approved	Date
0	Issued	BS	S.M.	S.M.	10/21/15

**SMP TECHNOLOGY, INC.**

SSMCX Connector; Vertical ; 50 Ohm

TOL. DEC.      0.5-6 = ±0.2      30-120 = ±0.6      ANGLE +/- 3°      UNIT: mm  
                      6-30 = ±0.4      120-315 = ±1

P/N: C600-5100-0000-Z