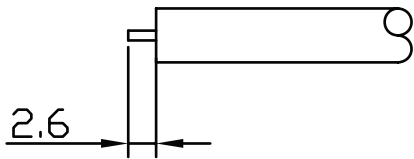
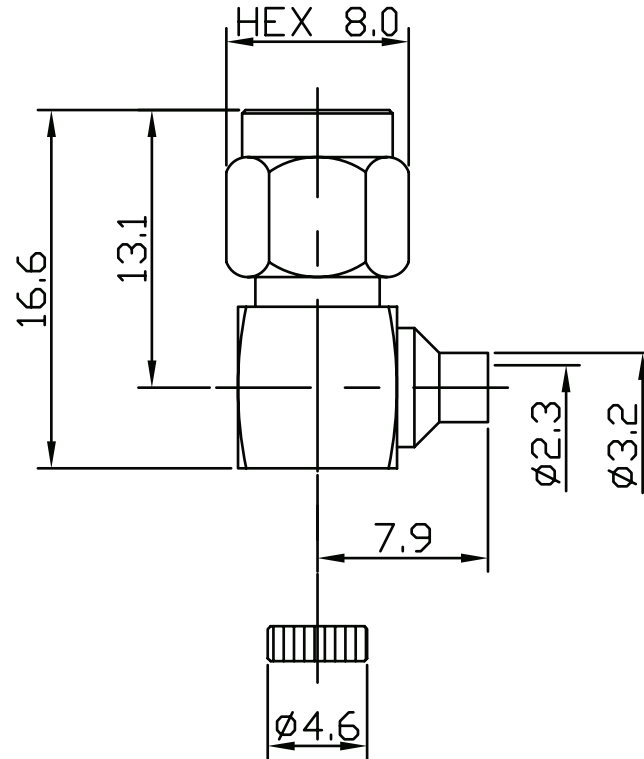


| | | | | |
|----|----------------------|----------|--------|------|
| 07 | CAP | BRASS | GOLD | 1 |
| 06 | GASKET | SILICONE | NONE | 1 |
| 05 | INNER RETAINING RING | Be Cu | NONE | 1 |
| 04 | SHELL | BRASS | GOLD | 1 |
| 03 | INSULATOR A | TEFLON | NONE | 1 |
| 02 | PIN | BRASS | GOLD | 1 |
| 01 | BODY | BRASS | GOLD | 1 |
| NO | DESCRIPTION | MATERIAL | FINISH | Q'TY |



Recommneded Cable Strip Dimensions



HOW TO ORDER:

C 4 0 0 - 1 4 0 0 - 1 0 0 0 - Z

**RoHS
COMPLIANT**

| Rev | Description | Drawn | Checked | Approved | Date |
|-----|-------------|-------|---------|----------|---------|
| 0 | Issued | B.S. | S.M. | S.M. | 4/21/11 |
| | | | | | |
| | | | | | |

SMP TECHNOLOGY, INC.

SMA Right Angle Plug; Solder; For .085 Cable

SCALE: N/A

TOL. DEC. .X +/- 0.20 .XX +/- 0.20 .XXX +/- 0.20 ANGLE +/- 3° UNIT: mm

P/N: C400-1400-1000-z