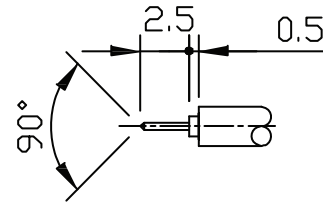
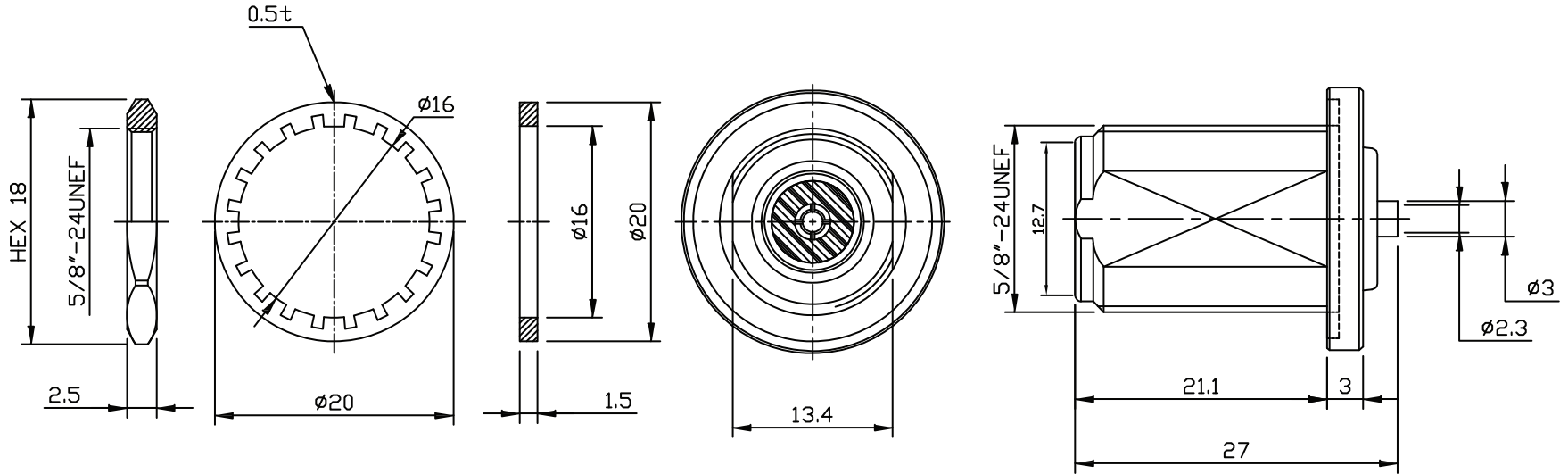


08	NUT	BRASS	NICKEL	1
07	WASHER	BRASS	NICKEL	1
06	O RING	SILICONE	RED	1
05	CABLE BODY	BRASS	GOLD	1
04	INSULATOR	TEFLON	NONE	1
03	CENTER PIN	PHOSPHOR BRONZE	GOLD	1
02	INSULATOR	TEFLON	NONE	1
01	BODY	BRASS	NICKEL	1
NO	DESCRIPTION	MATERIAL	FINISH	Q'TY



Recommended Cable Strip Lengths



HOW TO ORDER:

C 3 0 0 - 3 3 0 0 - 1 0 0 0 - Z

RoHS
COMPLIANT

Rev	Description	Drawn	Checked	Approved	Date
0	Issued	BS	S.M.	S.M.	8/21/10

SMP TECHNOLOGY, INC.

N Connector; Straight ; Bulkhead Mount; Solder For .085 Cable

SCALE: N/A

TOL. DEC. .X +/- 0.40 .XX +/- 0.40 .XXX +/- 0.40 ANGLE +/- 3° UNIT: mm

P/N: C300-3300-1000-Z