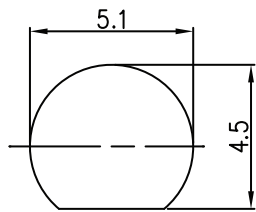
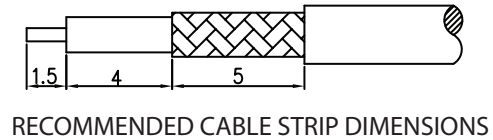
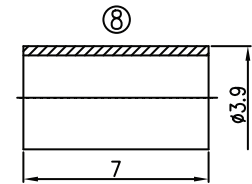
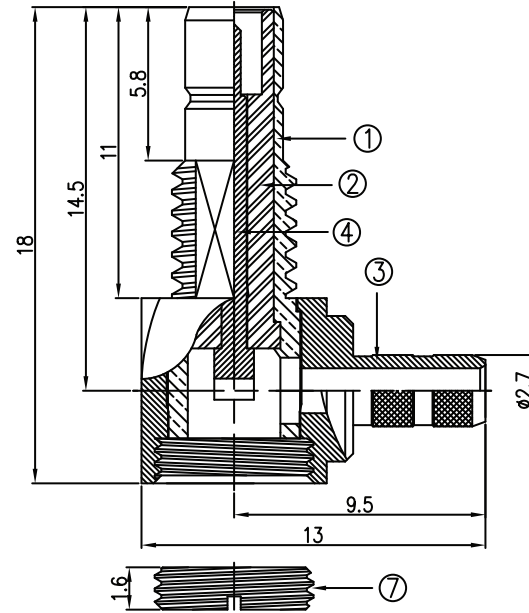
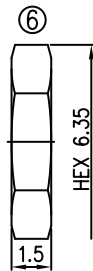
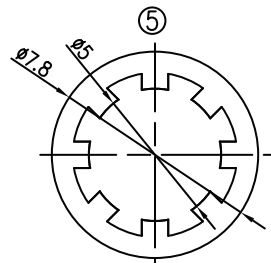


08	FERRULE	BRASS	NICKEL/GOLD	1
07	COVER	BRASS	NICKEL/GOLD	1
06	NUT	BRASS	NICKEL/GOLD	1
05	WASHER	TEFLON	NONE	1
04	CENTER PIN	PHOSPHOR BRONZE	NICKEL/GOLD	1
03	CABLE BODY	BRASS	NICKEL/GOLD	1
02	INSULATOR	TEFLON	NONE	1
01	BODY	BRASS	NICKEL/GOLD	1
NO	DESCRIPTION	MATERIAL	FINISH	Q'TY



RECOMMENDED MOUNTING HOLE DIMENSIONS



**HOW TO ORDER:**

C 2 0 0 - 3 2 0 0 - 0 0 0 0 - Z

**RoHS  
COMPLIANT**

Rev	Description	Drawn	Checked	Approved	Date
0	Issued	BS	S.M.	S.M.	8/30/11

**SMP TECHNOLOGY, INC.**

SMB Connector; Right Angle ; Bulkhead Mount Jack; Crimp

Termination for RG 174/U; 188A/U; 316/U Cable

SCALE: N/A					
TOL. DEC.	0.5-6 = ±0.2	30-120 = ±0.6	120-315 = ±1	ANGLE +/- 3°	UNIT: mm

P/N: C200-3200-0000-Z