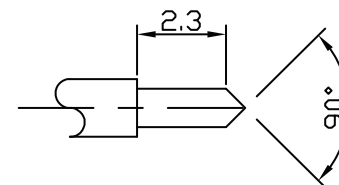
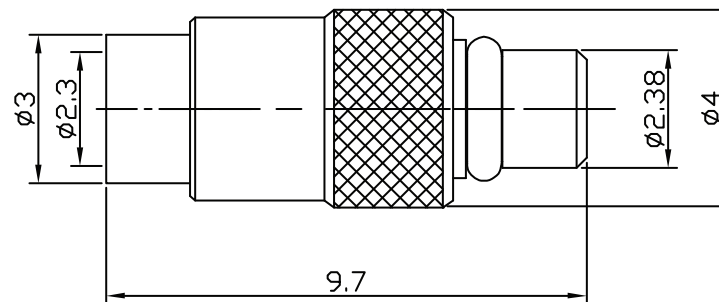
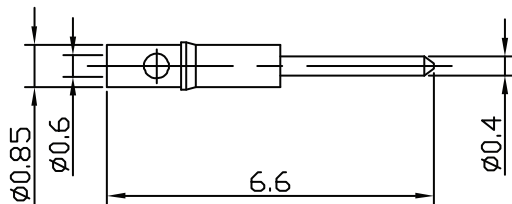


| | | | | |
|----|----------------------|------------------|--------|------|
| 05 | BODY | BRASS | GOLD | 1 |
| 04 | INNER RETAINING RING | BERYLLIUM COPPER | GOLD | 1 |
| 03 | INSULATOR | TEFLON | NONE | 1 |
| 02 | BODY | BRASS | GOLD | 1 |
| 01 | CENTER PIN | BRASS | GOLD | 1 |
| NO | DESCRIPTION | MATERIAL | FINISH | Q'TY |



**RECOMMENDED
STRIP LENGTHS**



HOW TO ORDER:

C 1 0 0 - 1 0 0 0 - 1 1 0 0 - Z

**RoHS
COMPLIANT**

| Rev | Description | Drawn | Checked | Approved | Date |
|-----|-------------|-------|---------|----------|---------|
| 0 | Issued | WHS | S.M. | S.M. | 9/11/10 |
| | | | | | |
| | | | | | |

SMP TECHNOLOGY, INC.

MMCX Straight Plug; Solder; For .085 Cable

SCALE: N/A

TOL. DEC. .X +/- 0.20 .XX +/- 0.20 .XXX +/- 0.20 ANGLE +/- NA UNIT: mm

P/N: C100-1000-1100-z