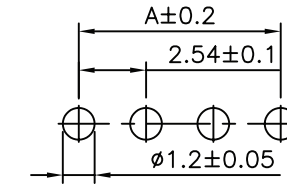
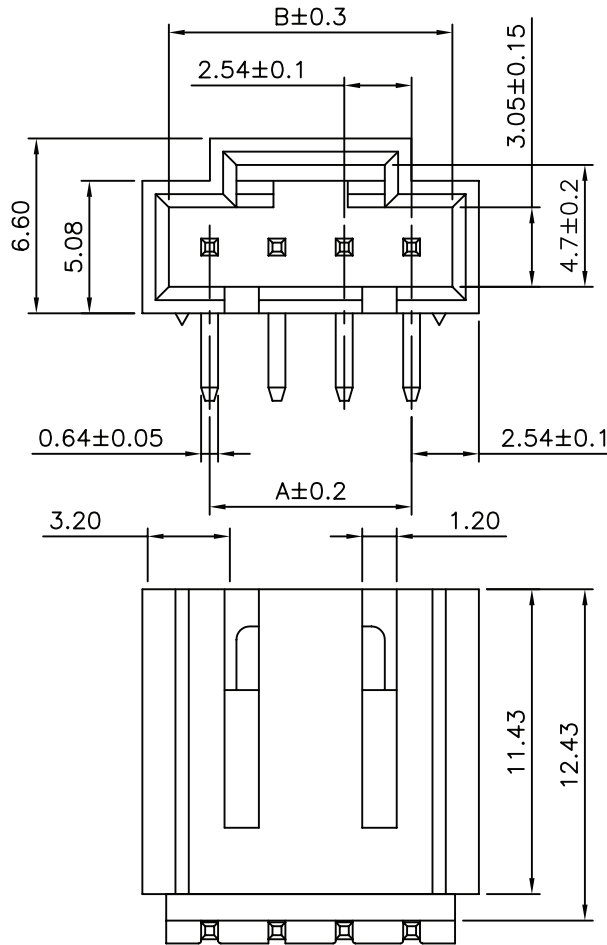


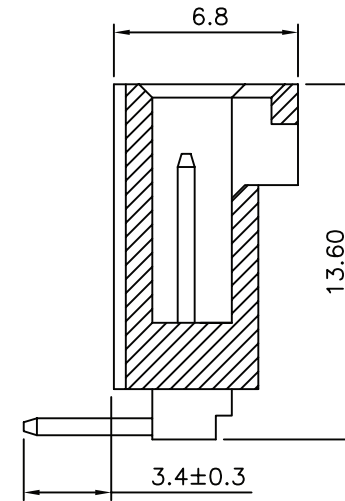
# RECEPTACLE CONTACT HOUSING

Poles	Dimensions(mm)	
	A	B
2	2.54	5.59
3	5.08	8.13
4	7.62	10.67
5	10.12	13.21
6	12.70	15.75
7	15.24	18.29
8	17.78	20.83
9	20.32	23.37
10	22.86	25.91
11	25.40	28.45
12	27.94	30.99
13	30.48	33.53
14	33.02	36.07
15	35.56	38.61
16	38.10	41.69
17	40.46	43.69
18	43.18	46.23

- \* Material: Nylon UL 94V-0
- \* Current rating : 3A, AC/DC
- \* Voltage rating : 250V, AC/DC



Recommmand PCB Layout



### ELECTRICAL:

CURRENT RATING: 3A  
 CONTACT RESISTANCE: < 15m Ω  
 INSULATOR RESISTANCE: > 1000M Ω  
 DIELECTRIC WITHSTANDING VOLTAGE: 600VAC FOR 1 MIN.  
 OPERATING TEMPERATURE: -40°C TO +105°C

### MATERIAL:

INSULATOR: POLYESTER (UL94V-0)  
 CONTACT: COPPER ALLOY

### HOW TO ORDER:

**B** **7** **0** **5** - **X** **X** **2** **1** - **0** **0** **X** - **Z**

**NUMBER OF POSITIONS:**  
02 thru 18

**CONTACT PLATING:**  
0 - GOLD FLASH  
8 - TIN / LEAD PLATED

**RoHS COMPLIANT**

Rev		Apv.	Date	<b>SMP TECHNOLOGY, INC.</b>
0	Issued	WHS	3/31/06	
				Pocket Header; 2.54mm Pitch; Right Angle
SCALE				B705 Receptacle Housing & Contacts
TOL. DEC. .X +/- 0.35 .XX +/- 0.25 .XXX +/-				SERIES: B705-XX21-00X-Z
MAT'L FINISH ANGLE +/- UNIT: mm				Pg: 1