

ELECTRICAL:

CONTACT RESISTANCE:

20 milliohms MAX at 1 amp. DC.

INSULATION RESISTANCE:

5,000 megohms MIN at 500VDC.

DIELECTRIC WITHSTANDING VOLTAGE:

800VAC/RMS at 60Hz for one minute.

VOLTAGE RATING:

800VAC/RMS at 60Hz.

CURRENT RATING:

1.0 amps. per contact.

MECHANICAL:

INSERTION FORCE: 230 grams MAX. per contact pair.

WITHDRAWAL FORCE: 15 grams MAX. per contact pair.

CONTACT RETENTION: 680 grams MAX. per contact pair.

DURABILITY:

200 mating/unmating cycles MIN. at flash gold over 0.76 micrometers MIN. of palladium/nickel

50 mating/unmating cycles MIN. at flash gold plating;

100 mating/unmating cycles MIN. at 0.38 micrometers MIN. gold plating;

200 mating/unmating cycles MIN. at 0.38 micrometers MIN. gold plating.

ENVIRONMENTAL:

OPERATING TEMPERATURE: -55°C to +105°C

HUMIDITY: per MIL-STD-1334A, method 1002.1, test condition B

THERMAL SHOCK: per MIL-STD-1334A, method 1003.1, test condition A

VIBRATION: per MIL-STD-1334A, method 2005.1, test condition II

MECHANICAL SHOCK: per MIL-STD-1334A, method 2004.1, test condition C

SALT SPRAY: 24 hours per MIL-STD-1334A, method 1001.1, test condition

MATERIAL:

INSULATOR:

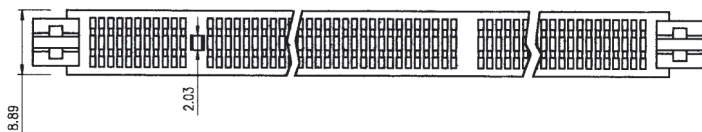
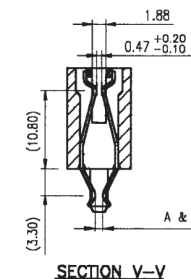
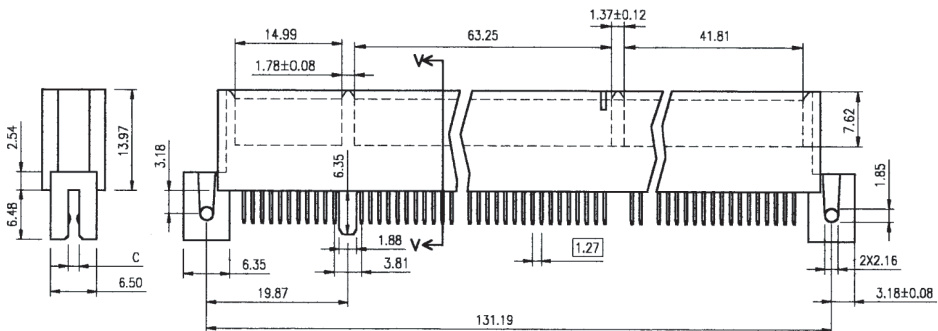
glass-filled thermoplastic (PPS/NYLON-66/PBT), UL-94V-0 rated. color-white, for PCI connector

CONTACT:

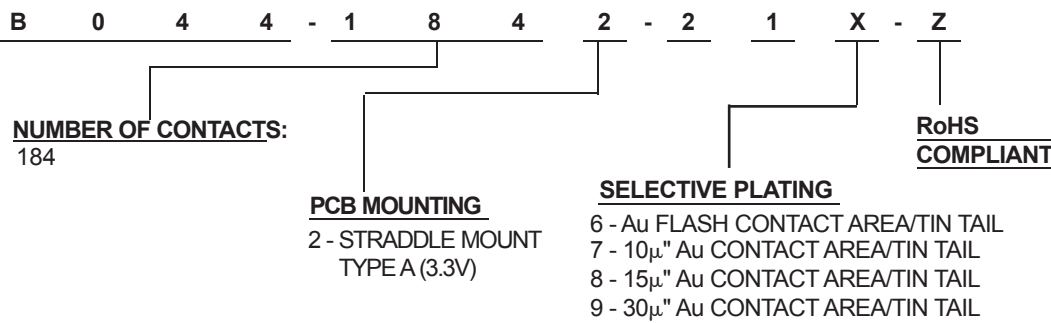
phosphor bronze, per ASTM-B103

Mating area - selective gold over 1.27 micrometers MIN. of nickel, or flash gold over 0.76 micrometers MIN. of nickel

Termination area - 2.54 micrometers MIN. of tin/lead over 1.27 micrometers MIN. of nickel



HOW TO ORDER:

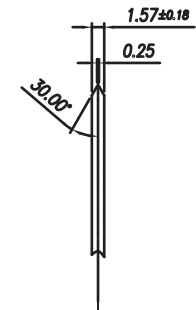
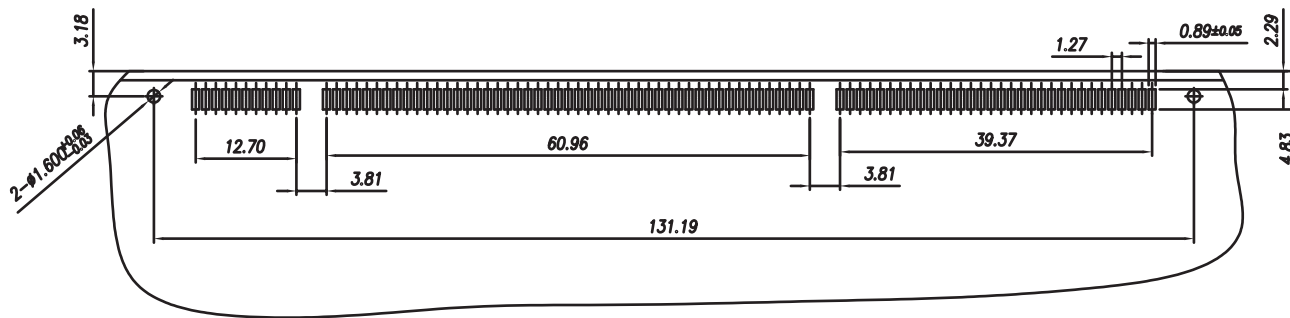
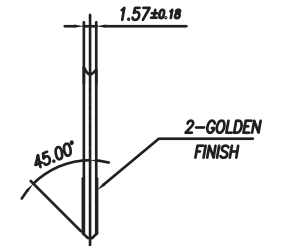
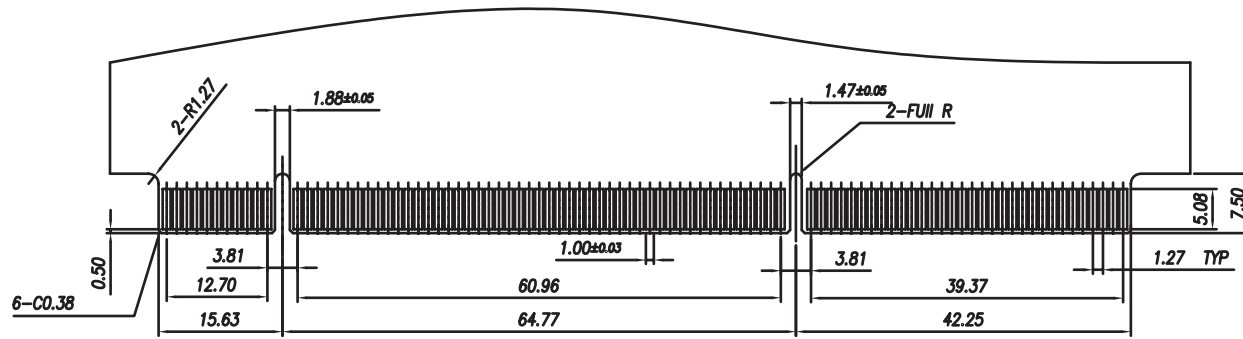


Rev		Apv.	Date
0	Issued	MDH	10/04/04
A	Revised for RoHS Compliance	WHS	5/24/06

SMP TECHNOLOGY, INC.

SCALE MAT'L FINISH Card Edge Connector, 184 Position, 1.27mm Pitch Straddle Mount, Type A, 3.3V

TOL. DEC. .X +/- 0.25 .XX +/- 0.15 .XXX +/- 0.08 ANGLE +/- 0.50° UNIT: mm P/N: B044-1842-21X-Z Pg: 1



RECOMMENDED MATING P. C. BOARD EDGE CONFIGURATION

Rev		Apv.	Date	SMP TECHNOLOGY, INC.	
0	Issued	MDH	10/04/04		
A	Revised for RoHS Compliance	WHS	5/24/06		
SCALE				Card Edge Connector, 184 Position, 1.27mm Pitch Straddle Mount, Type A, (3.3V)	
TOL. DEC.		MAT'L		FINISH	
.X +/- 0.25		.XX +/- 0.15		.XXX +/- 0.08	
		ANGLE +/- 0.50°		UNIT: mm	
				P/N: B044-1842-21X-Z	
				Pg: 2	