

Daughter Card Requirements

ELECTRICAL:

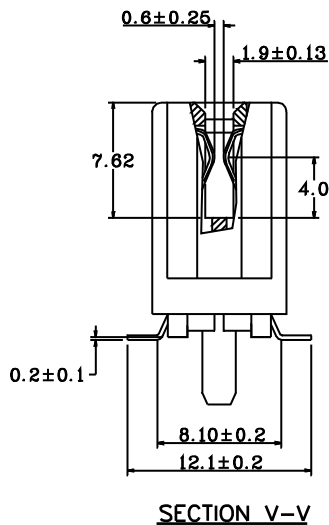
CURRENT RATING: 1A
 CURRENT VOLTAGE: 250VAC RMS
 CONTACT RESISTANCE: < 30mW AT 1AMP DC
 INSULATOR RESISTANCE: > 1000MW AT 500VDC
 DIELECTRIC WITHSTANDING VOLTAGE: 500VAC FOR 1 Min.
 OPERATING TEMPERATURE: -55° C TO +105° C
 CAPCITANCE: 2pF Max.

MECHANICAL:

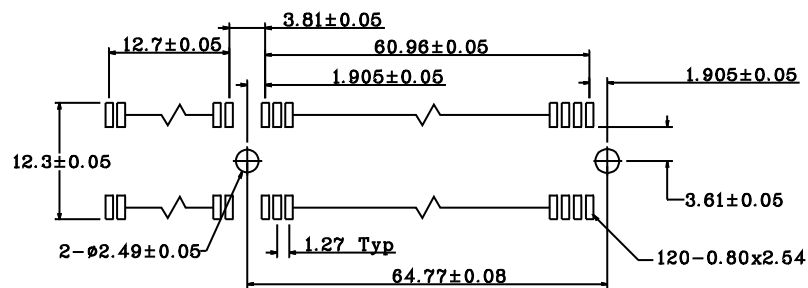
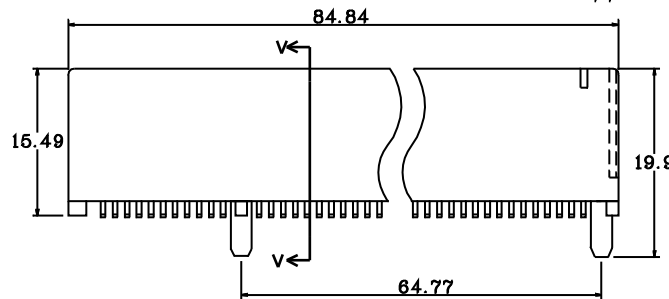
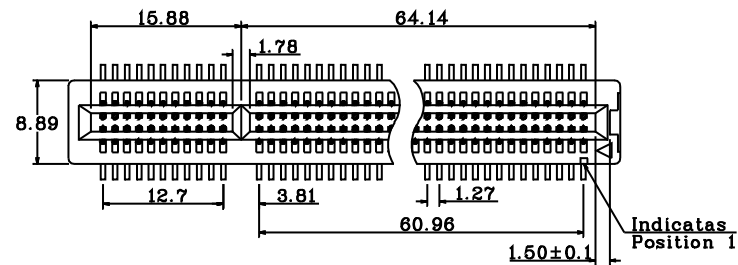
RETENTION FORCE: 1 Lb. Min.
 INSERTION FORCE: 7 oz. Max. per Mated Pair
 WITHDRAWAL FORCE: 1 oz. Min per Mated Pair
 CONTACT NORMAL FORCE: 75 Grams Min.
 DURABILITY: 100 Cycles

MATERIAL:

HOUSING: Polybutylene Sulfide (PPS), UL 94V-0 Rated, Color White
 CONTACT: Copsy Alloy
 PLATING: **6 - Gold Flash** on Contact Plating 75u" Sn/Pb [90/10] on Solder Tail Both over 50u" Ni Underplate
7 - 10u" Gold on Contact Plating 75u" Sn/Pb [90/10] on Solder Tail Both over 50u" Ni Underplate
8 - 15u" Gold on Contact Plating 75u" Sn/Pb [90/10] on Solder Tail Both over 50u" Ni Underplate
9 - 30u" Gold on Contact Plating 75u" Sn/Pb [90/10] on Solder Tail Both over 50u" Ni Underplate

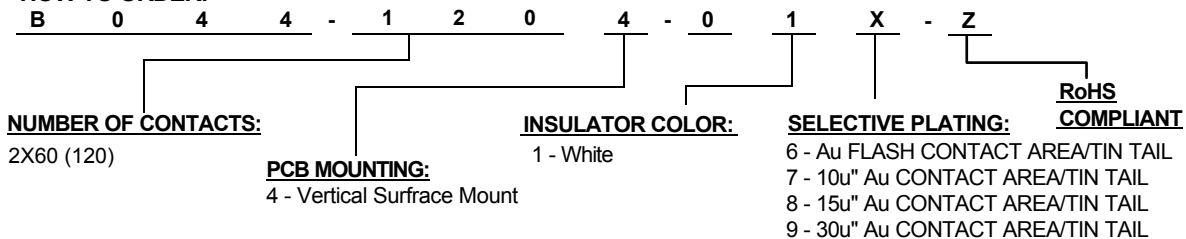


SECTION V-V



P.C. Board Layout

HOW TO ORDER:



Rev	Drawn	Checked	Approved	Date
0 Issued	D.H.	S.M.	S.M.	06/14/04
A Revised for RoHS Compliance	B.S.	S.M.	S.M.	12/15/06

SMP TECHNOLOGY, INC.

PCI Connector 120 Position, 1.27 mm (.050") Pitch, Vertical Surface Mount

SCALE:n/a

TOL. DEC. .X +/- 0.35 .XX +/- 0.25 .XXX +/- ANGLE +/- UNIT: mm

P/N: B044-1204-01X-Z

Pg: 1