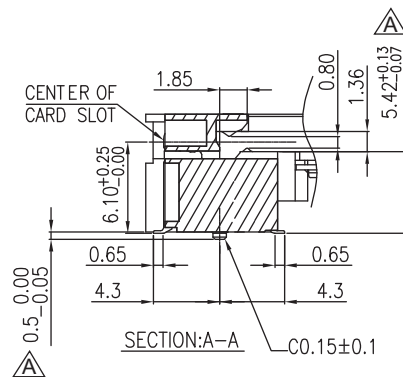
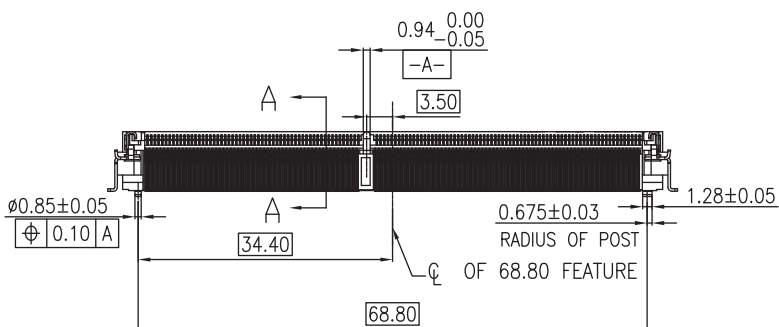
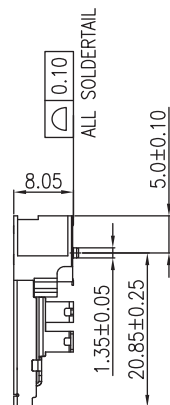
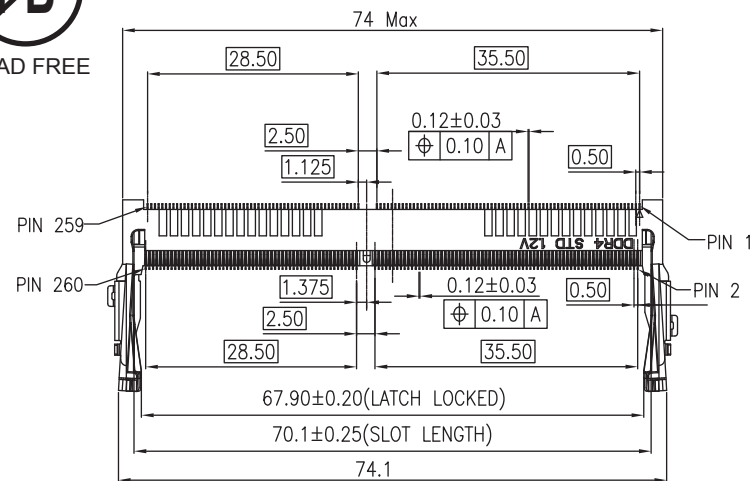
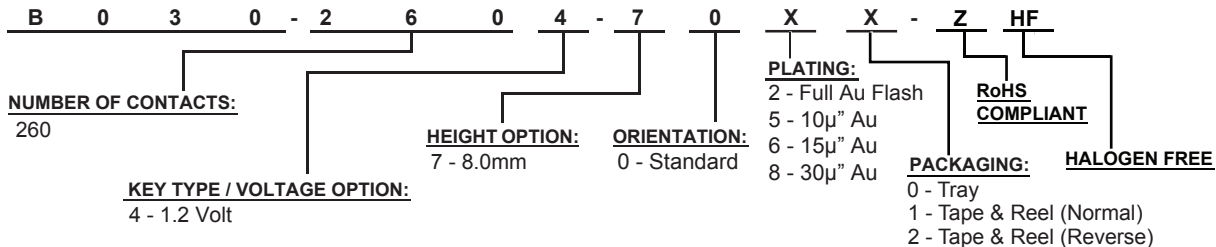




LEAD FREE



HOW TO ORDER:



MATERIAL:

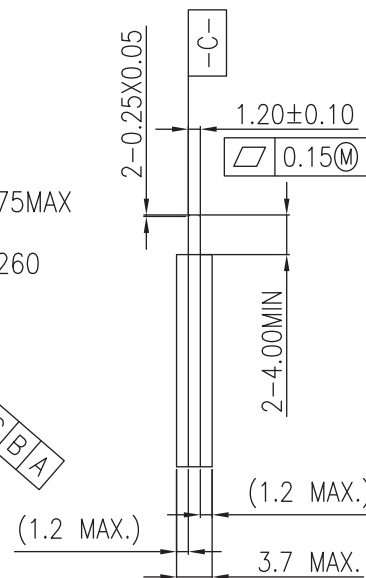
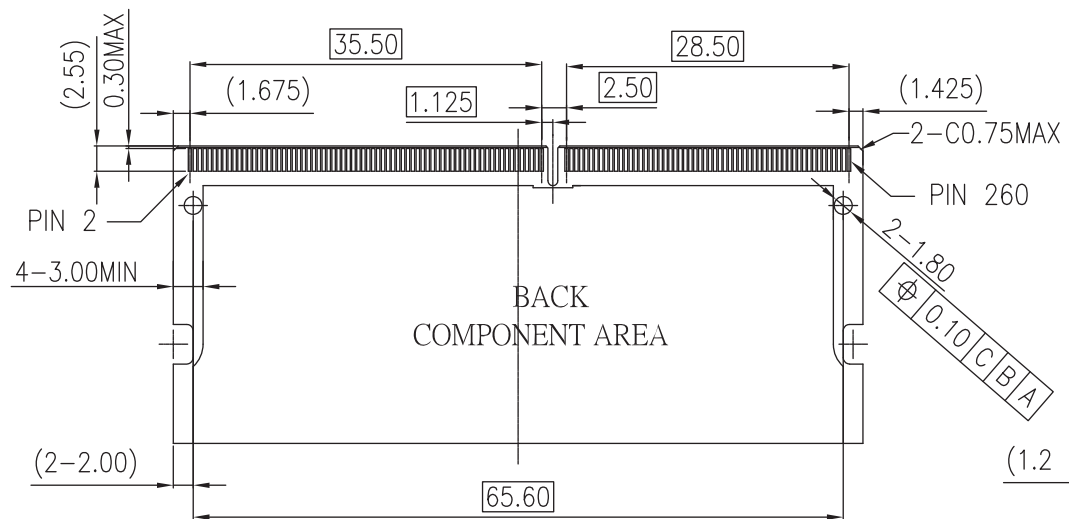
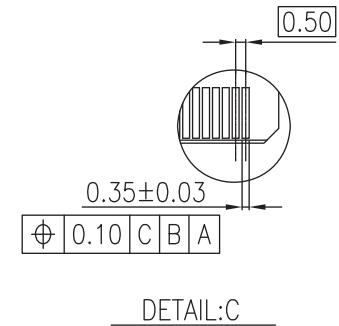
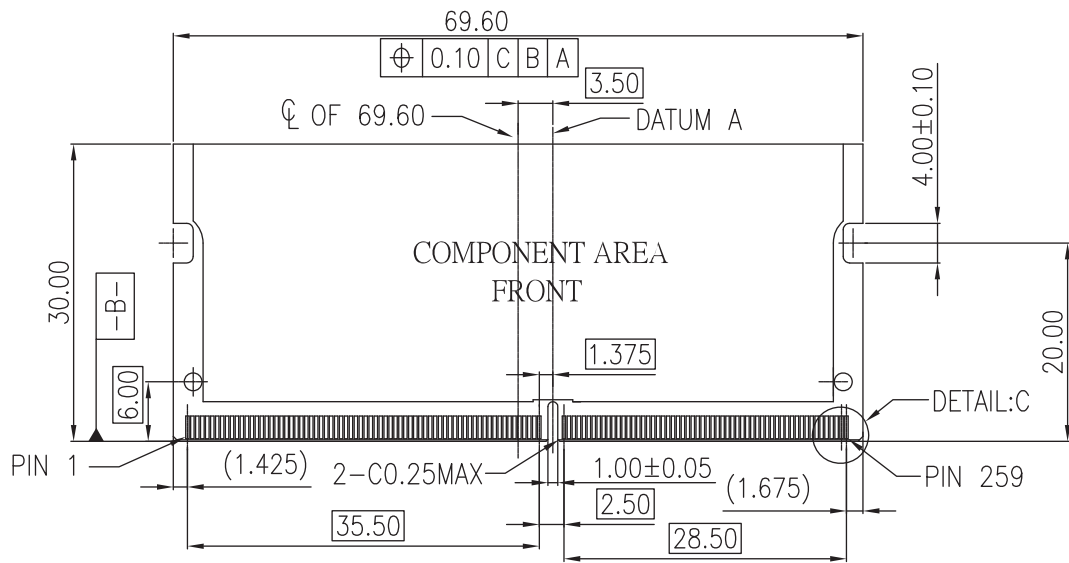
HOUSING: High Temp Thermo Plastic UL94V-0, Black
 LATCH: Stainless Steel
 CONTACT: Phosphor Bronze
 CONTACT PLATING: Specified Au Thickness in Contact Area,
 Au Flash on Solder Tail Over 50µ" Nickel Subplate

Rev	Drawn	Checked	Approved	Date
0	B.S.	S.M.	S.M.	09/24/14
A	B.S.	S.M.	S.M.	04/07/16

TOL. DEC. .X +/- 0.35 .XX +/- 0.25 .XXX +/- 0.15

ANGLE +/- 3° UNIT: mm

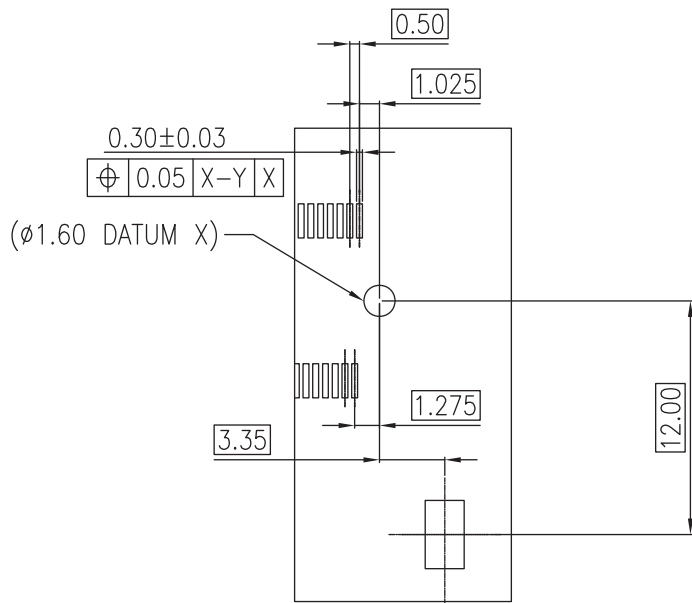
SMP TECHNOLOGY, INC.	
DDR 4 SO DIMM Socket, 260 Position, 1.2Volt,	
Standard Orientation, 8.0mm Height, Type A	
P/N: B030-2604-70XX-ZHF	Pg: 1 of 4



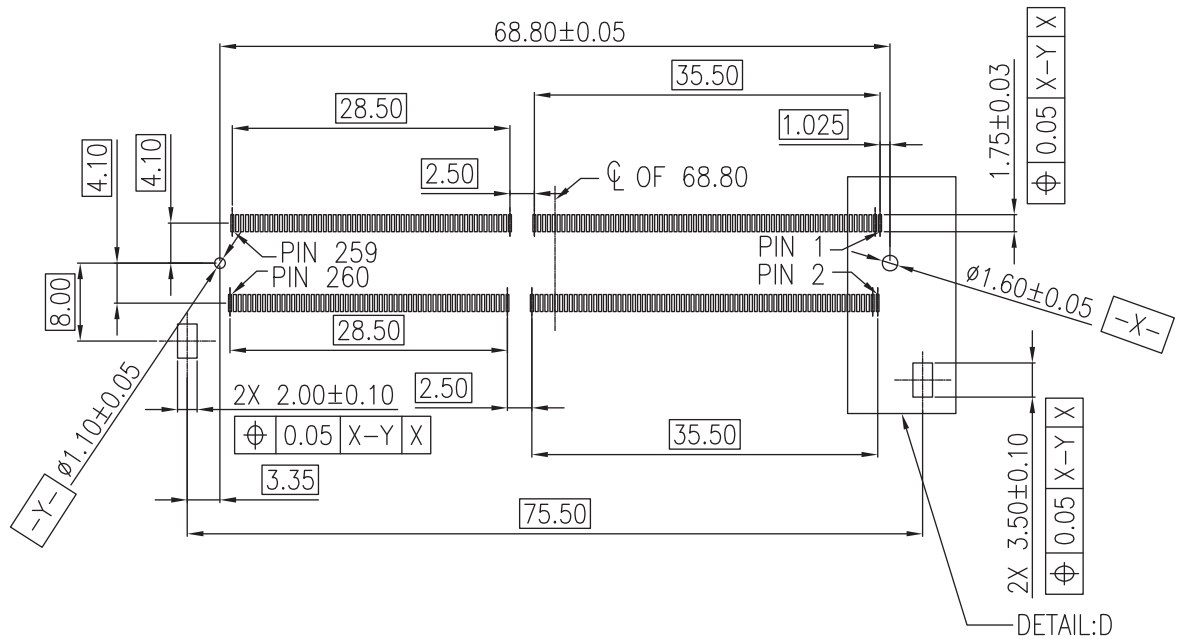
SMP TECHNOLOGY, INC.

DDR 4 SO DIMM Socket, 260 Position, 1.2Volt,

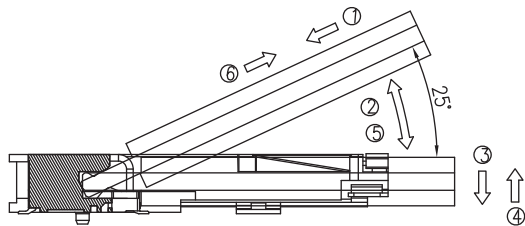
Standard Orientation, 8.0mm Height, Type A



DETAIL:D



RECOMMENDED PCB LAYOUT

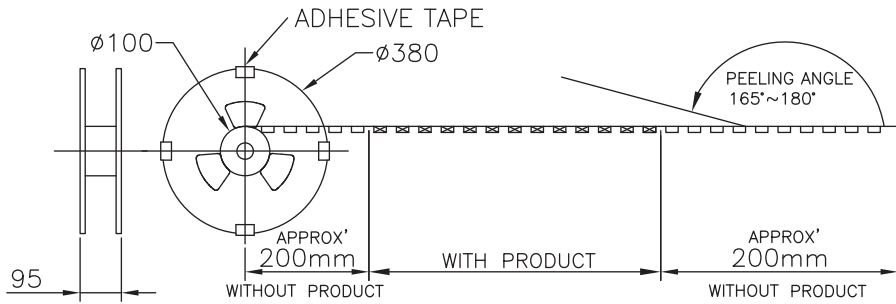


MATING/UNMATING VIEW
SCALE 2:1

MATING: ① INSERTING(30°) — ② ROTATING — ③ FIXED
UNMATING: ④ UNFIXED — ⑤ ROTATING — ⑥ WITHDRAWING

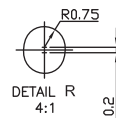
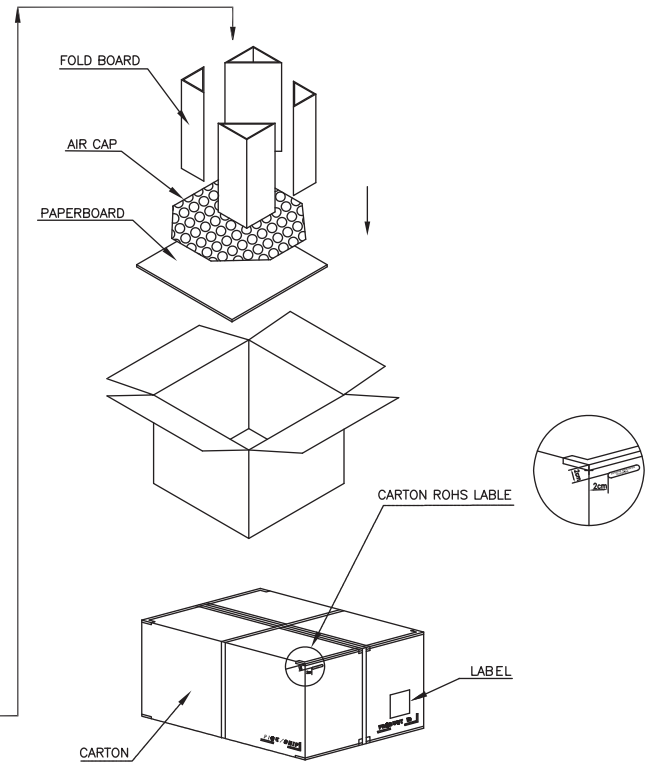
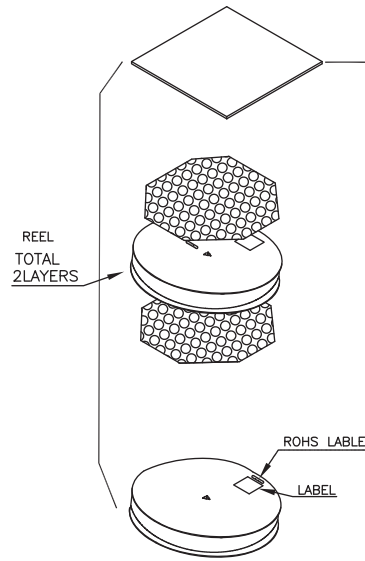
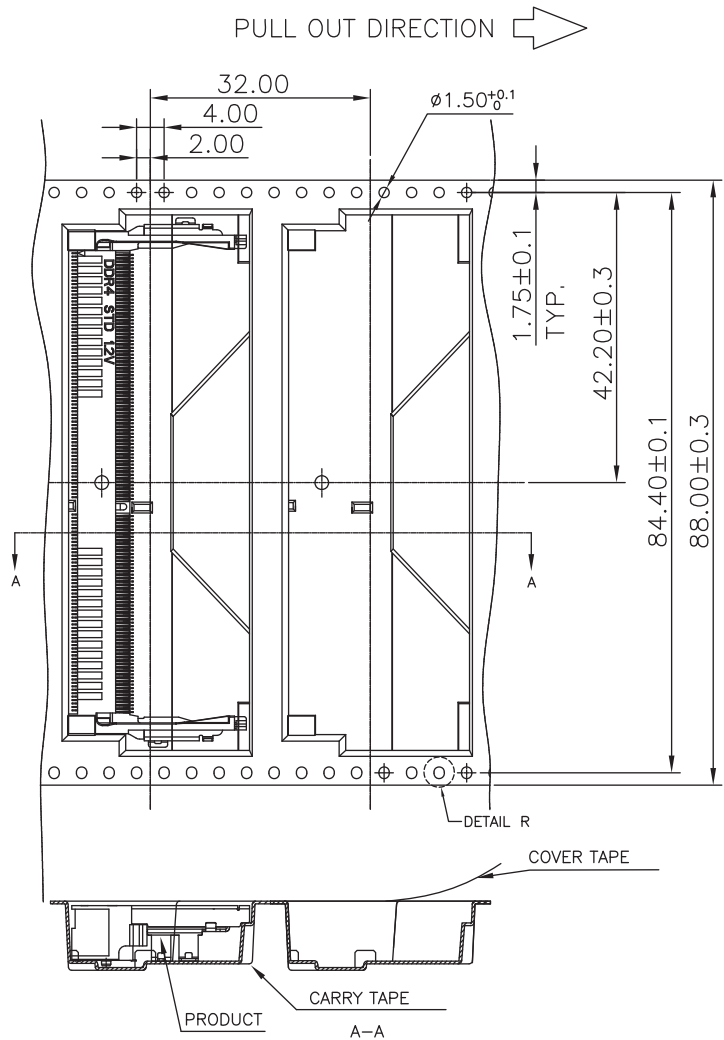
SMP TECHNOLOGY, INC.

DDR 4 SO DIMM Socket, 260 Position, 1.2Volt,
Standard Orientation, 8.0mm Height, Type A



Notes:

1. 250 Pcs / Reel, 2 Reels / Carton
2. Net Weight / Carton: 2.86Kg
3. Gross Weight / Carton: 5.00Kg



SMP TECHNOLOGY, INC.

DDR 4 SO DIMM Socket, 260 Position, 1.2Volt,
Standard Orientation, 8.0mm Height, Type A

P/N: B030-2604-70XX-ZHF