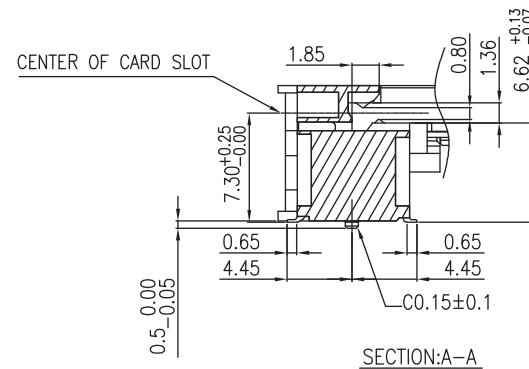
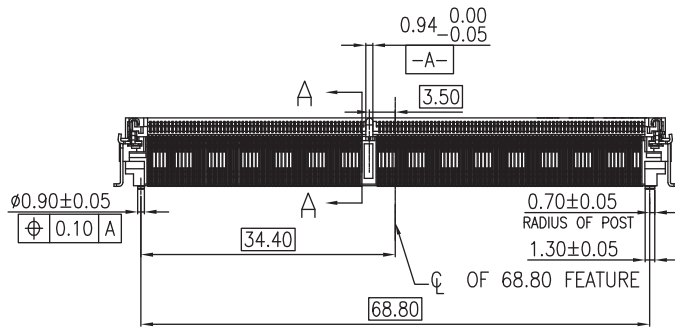
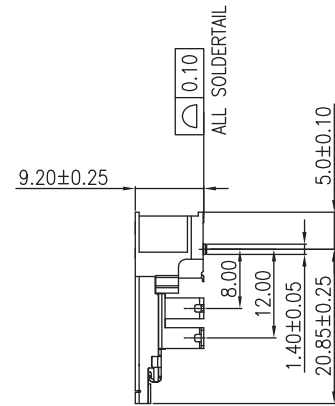
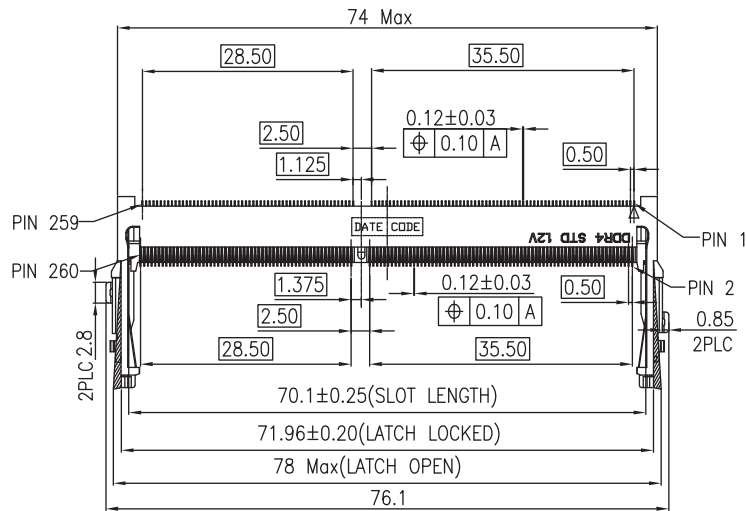
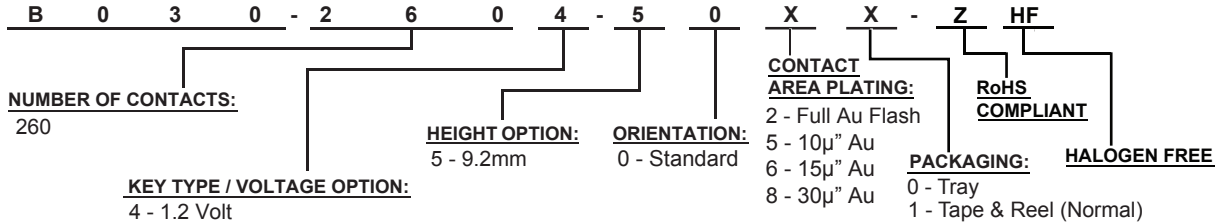




LEAD FREE



HOW TO ORDER:



MATERIAL:

HOUSING: High Temp Thermo Plastic UL94V-0, Black
 LATCH: Stainless Steel
 CONTACT: Phosphor Bronze
 CONTACT PLATING: Specified Au Thickness in Contact Area,
 Au Flash on Solder Tail Over 50µ Nickel Subplate

| Rev | Drawn | Checked | Approved | Date |
|-----|-------|---------|----------|----------|
| 0 | B.S. | S.M. | S.M. | 10/28/15 |
| | | | | |
| | | | | |
| | | | | |

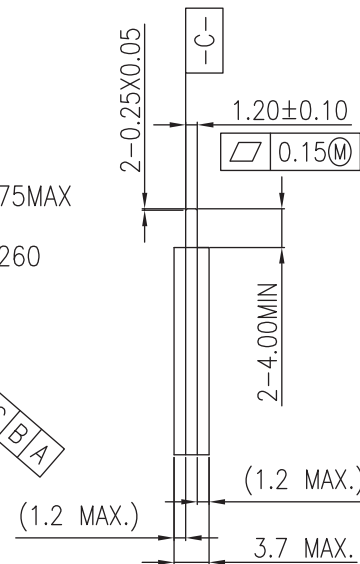
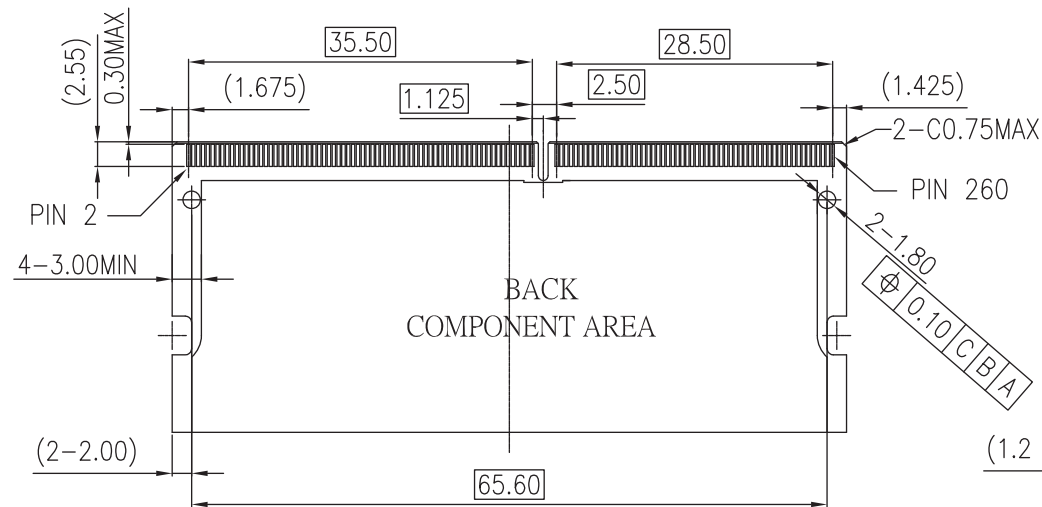
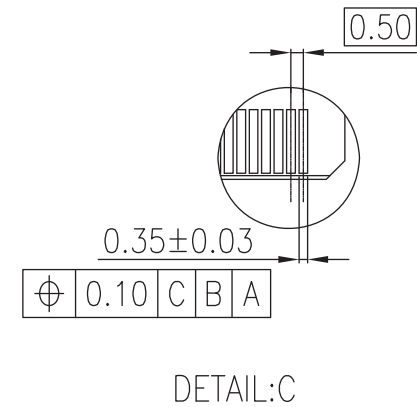
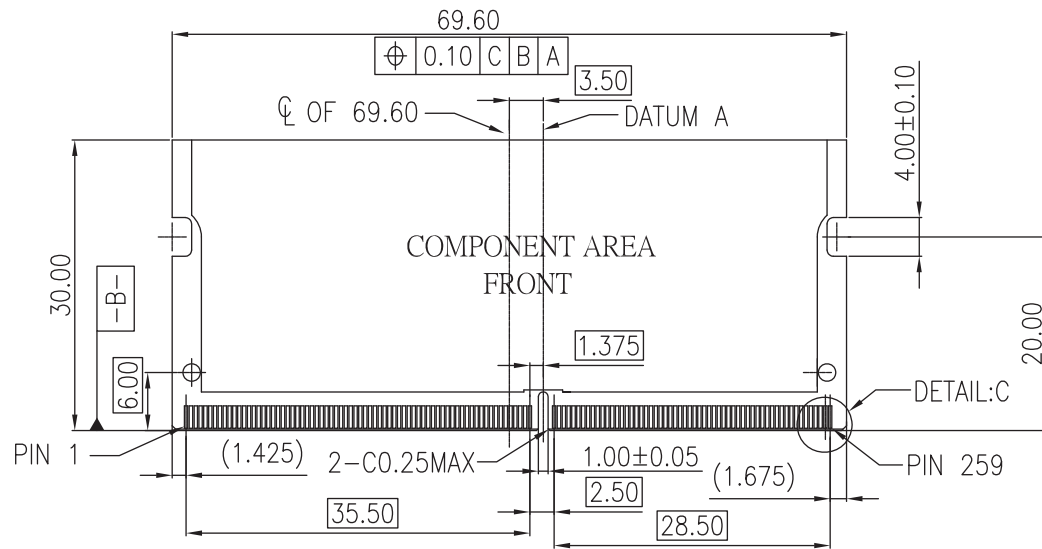
SMP TECHNOLOGY, INC.

DDR 4 SO DIMM Socket, 260 Position, 1.2Volt,
 Standard Orientation, 9.2mm Height, Type A

TOL. DEC. .X +/- 0.35 .XX +/- 0.25 .XXX +/- 0.15

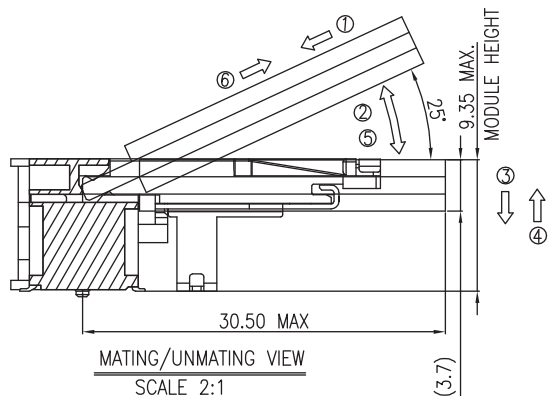
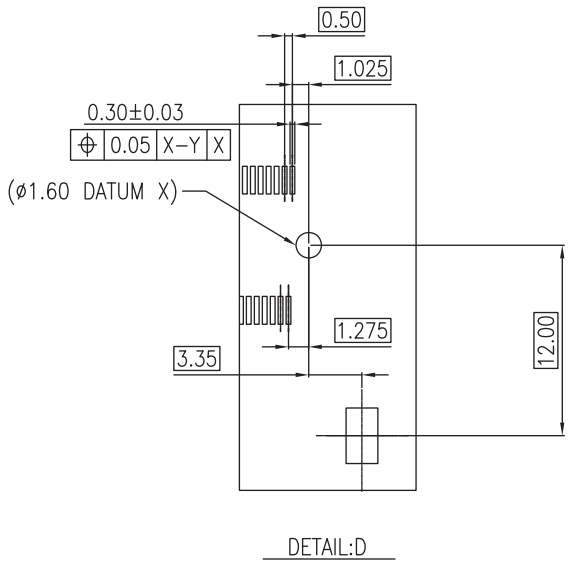
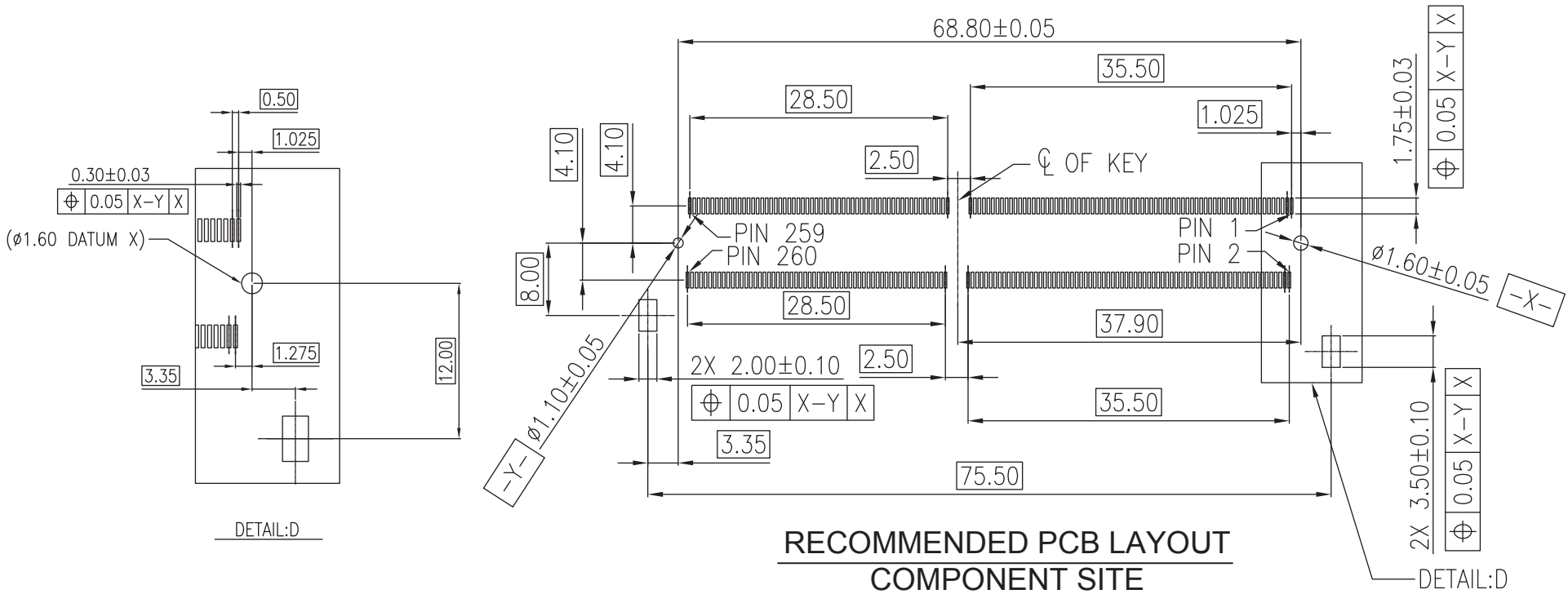
ANGLE +/- 3° UNIT: mm

P/N: B030-2604-50XX-ZHF



SMP TECHNOLOGY, INC.

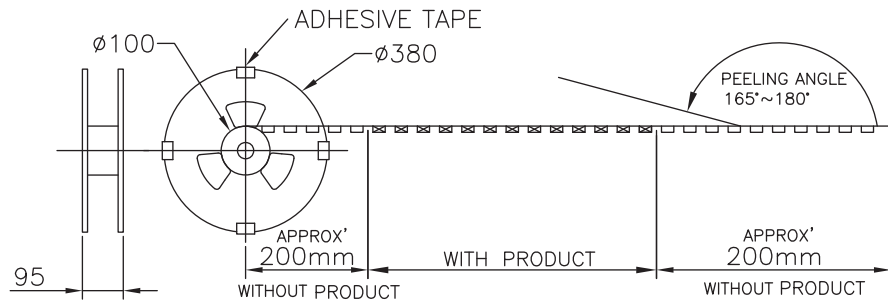
DDR 4 SO DIMM Socket, 260 Position, 1.2Volt,
 Standard Orientation, 9.2mm Height, Type A



MATING: ① INSERTING(30°) → ② ROTATING → ③ FIXED
 UNMATING: ④ UNFIXED → ⑤ ROTATING → ⑥ WITHDRAWING

SMP TECHNOLOGY, INC.

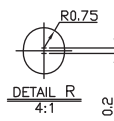
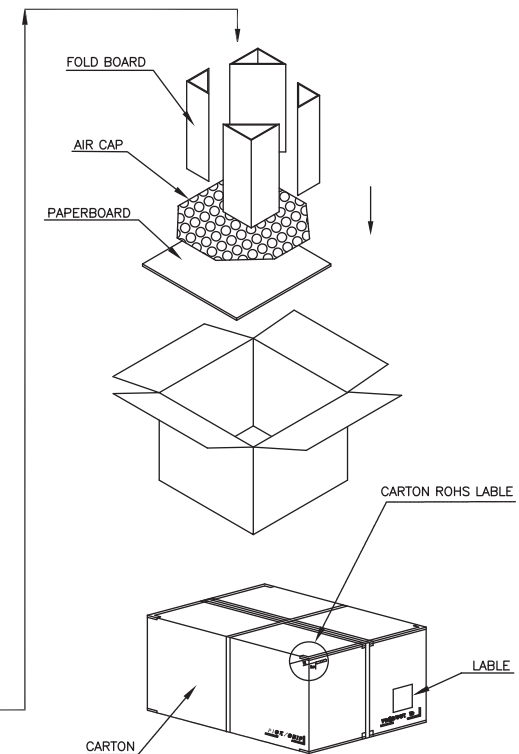
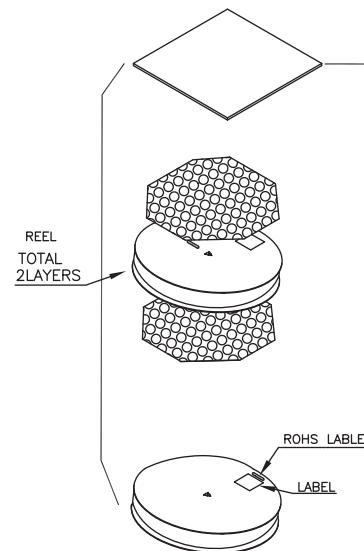
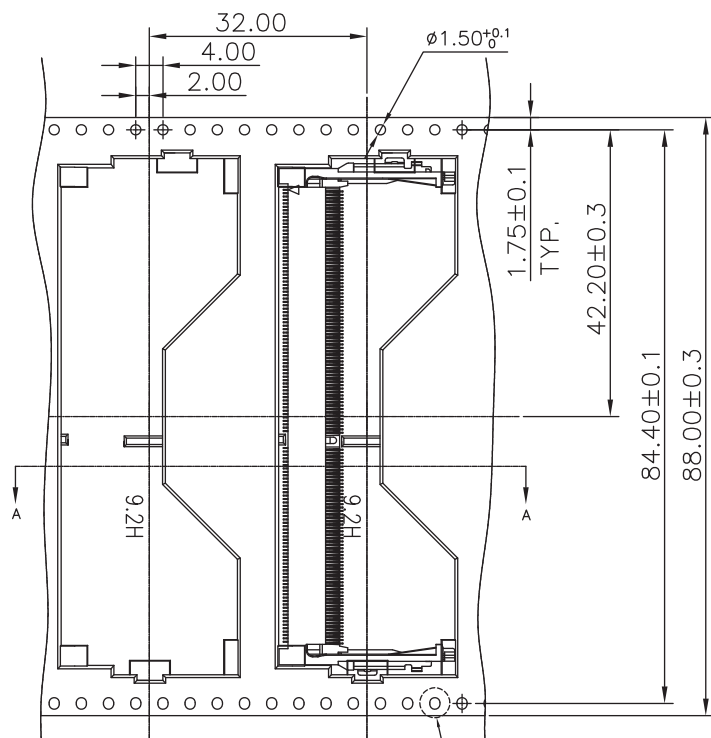
DDR 4 SO DIMM Socket, 260 Position, 1.2Volt,
 Standard Orientation, 9.2mm Height, Type A



Notes:

1. 250 Pcs / Reel, 2 Reels / Carton

PULL OUT DIRECTION



SMP TECHNOLOGY, INC.

DDR 4 SO DIMM Socket, 260 Position, 1.2Volt,
 Standard Orientation, 9.2mm Height, Type A

P/N: B030-2604-50XX-ZHF