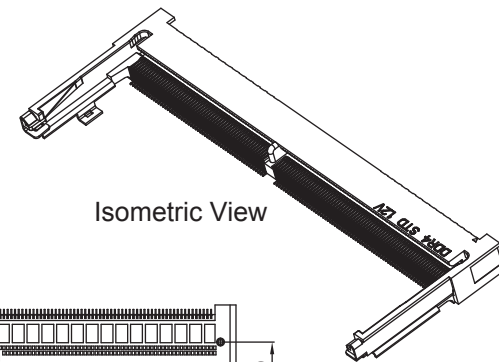
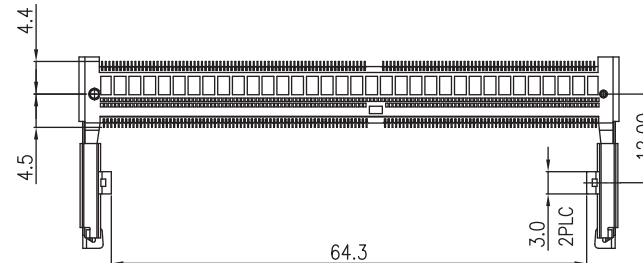
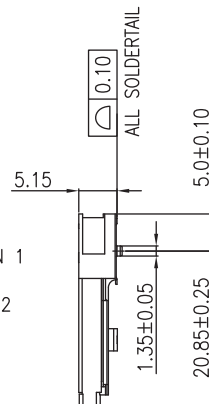
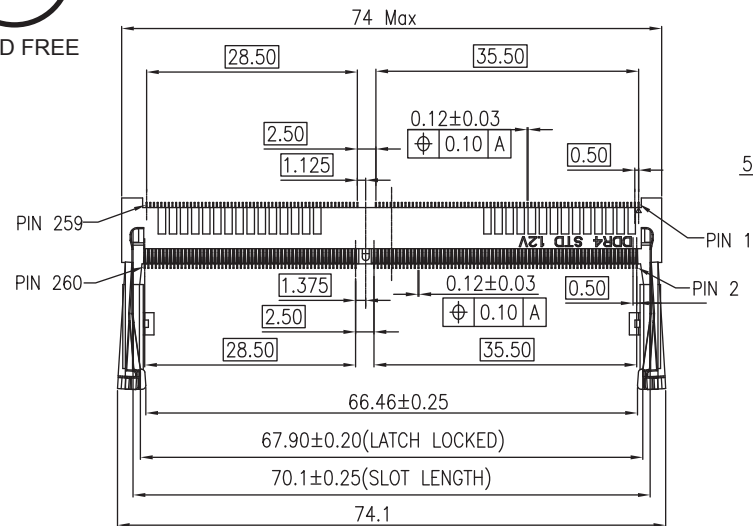
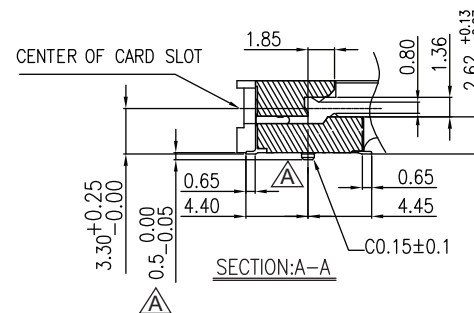
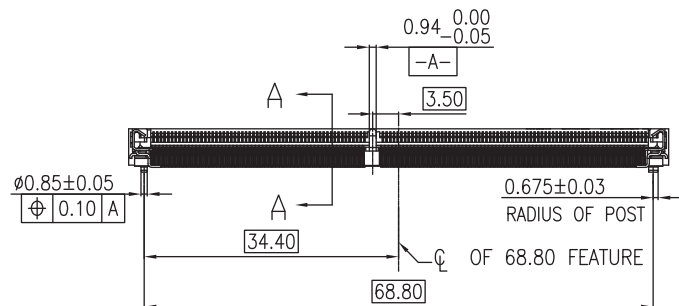




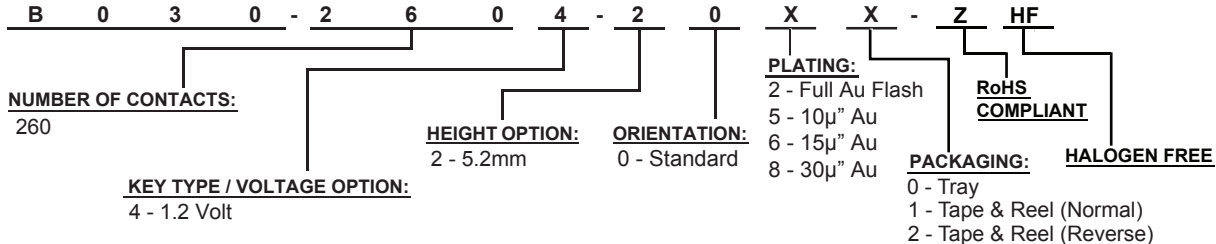
LEAD FREE



Isometric View



HOW TO ORDER:



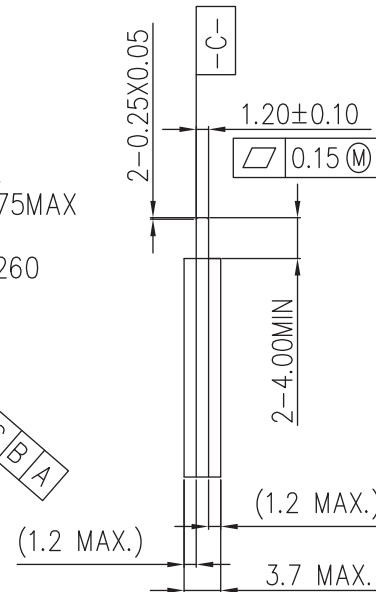
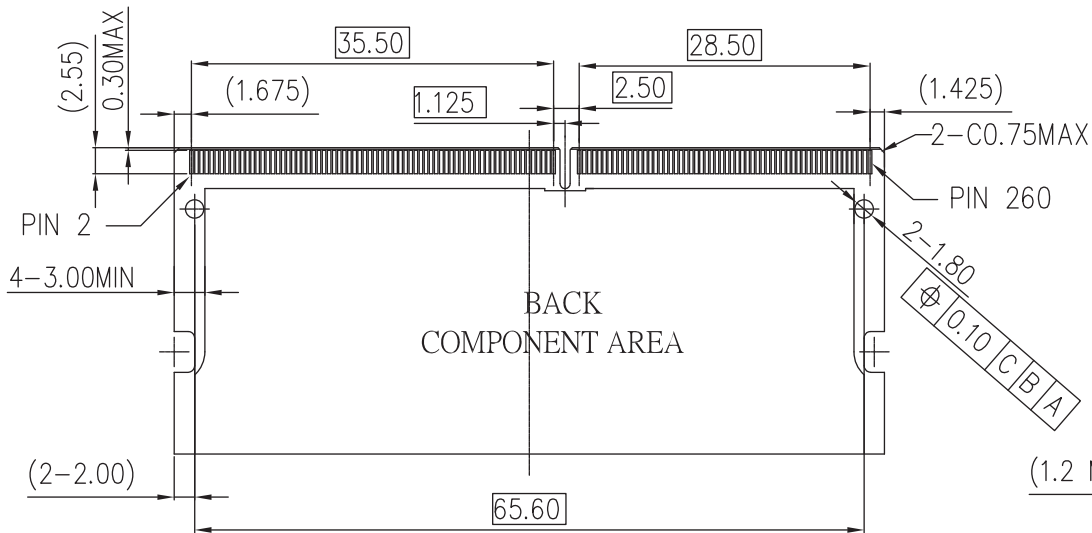
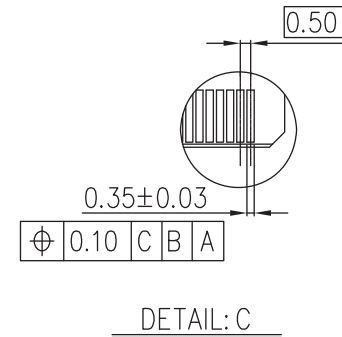
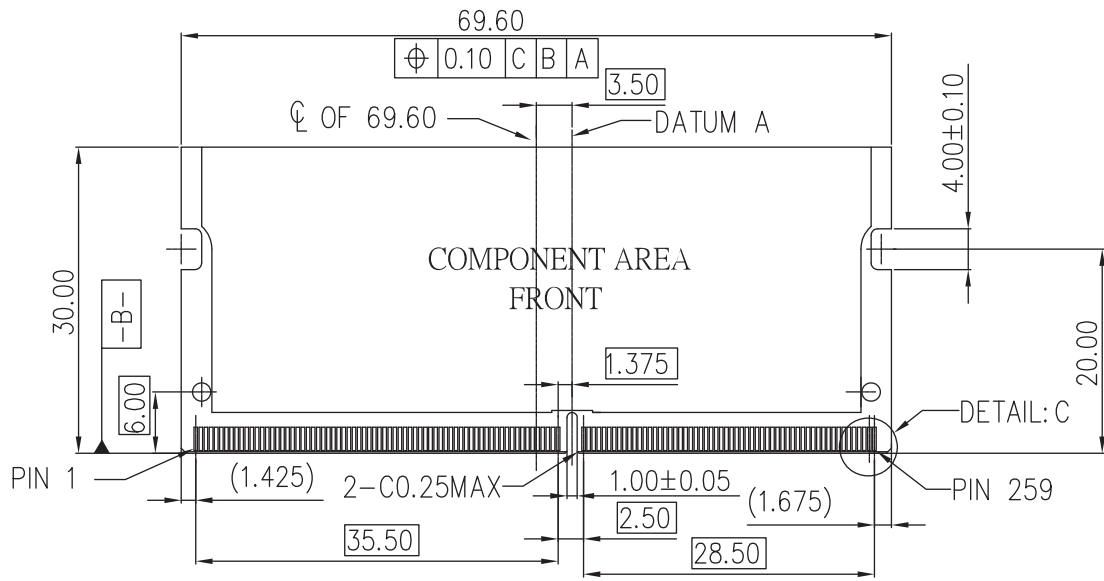
MATERIAL:

HOUSING: High Temp Thermo Plastic UL94V-0, Black
 LATCH: Stainless Steel
 CONTACT: Phosphor Bronze
 CONTACT PLATING: Specified Au Thickness in Contact Area,
 Au Flash on Solder Tail Over 50µ" Nickel Subplate

Rev	Drawn	Checked	Approved	Date
0	B.S.	S.M.	S.M.	09/24/14
A	B.S.	S.M.	S.M.	04/07/16

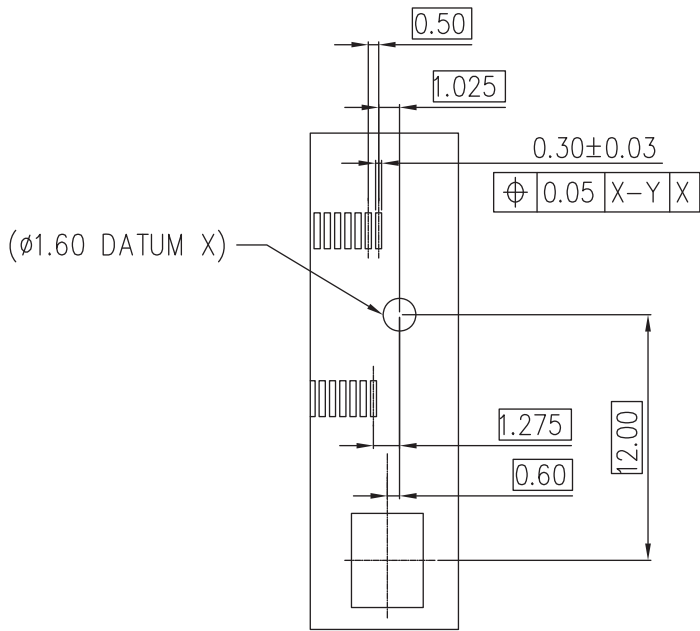
SMP TECHNOLOGY, INC.

DDR 4 SO DIMM Socket, 260 Position, 1.2Volt,
 Standard Orientation, 5.2mm Height, Type A

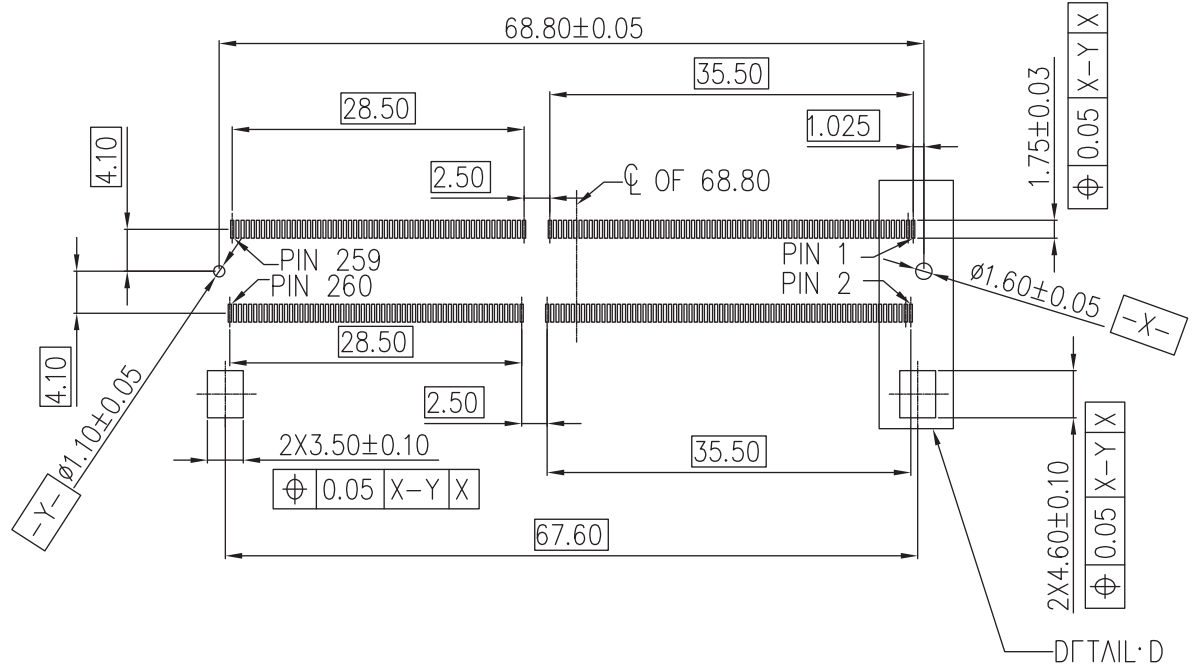


SMP TECHNOLOGY, INC.

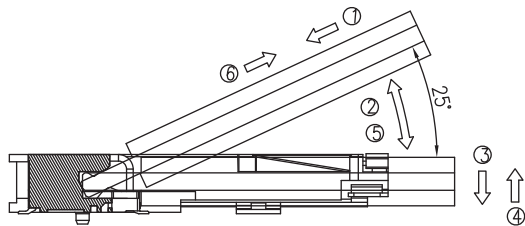
DDR 4 SO DIMM Socket, 260 Position, 1.2Volt,
Standard Orientation, 5.2mm Height, Type A



DETAIL: D



RECOMMENDED PCB LAYOUT

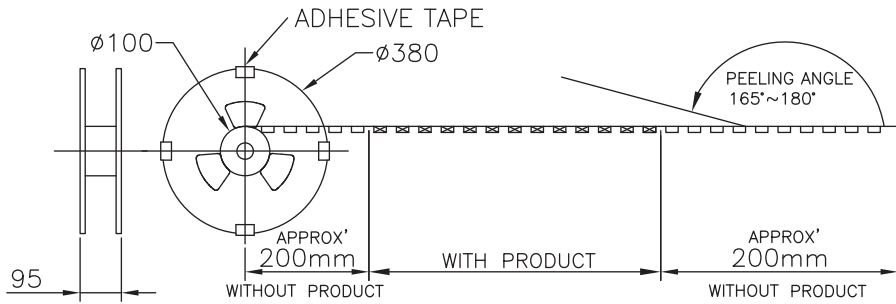


MATING/UNMATING VIEW
SCALE 2:1

MATING: ① INSERTING(30°) — ② ROTATING — ③ FIXED
UNMATING: ④ UNFIXED — ⑤ ROTATING — ⑥ WITHDRAWING

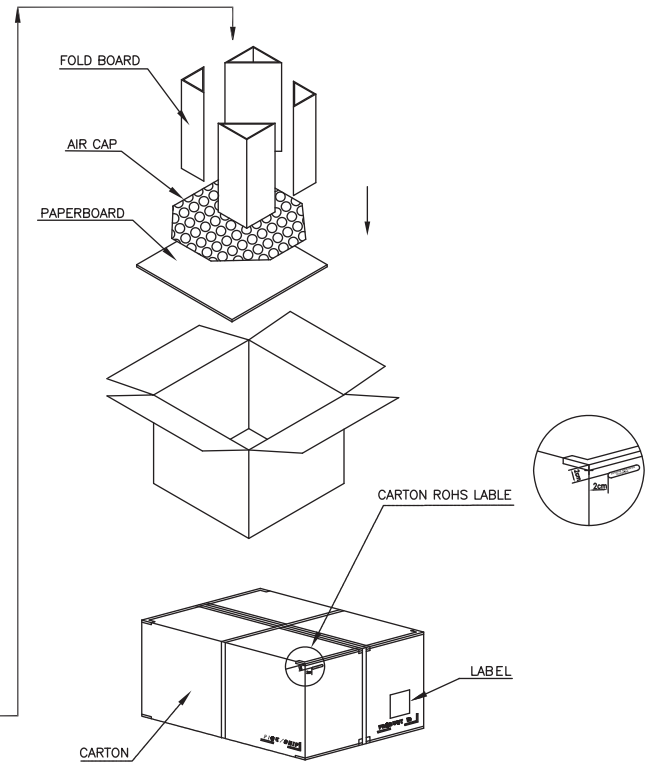
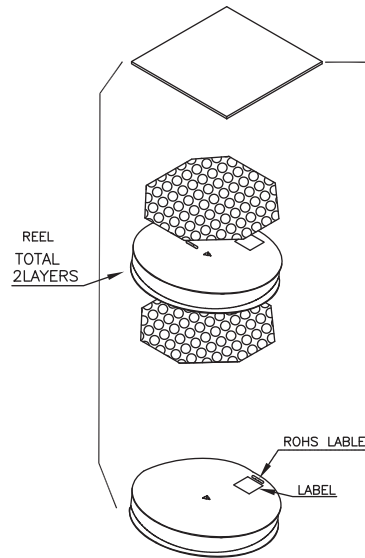
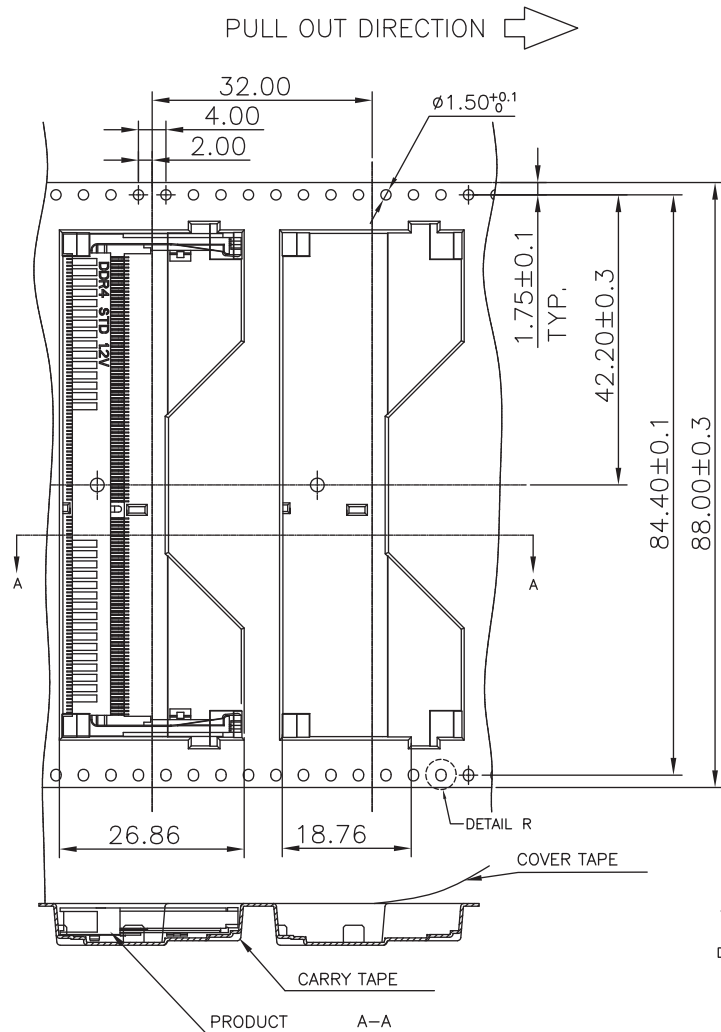
SMP TECHNOLOGY, INC.

DDR 4 SO DIMM Socket, 260 Position, 1.2Volt,
Standard Orientation, 5.2mm Height, Type A



Notes:

1. 400 Pcs / Reel, 2 Reels / Carton
2. Net Weight / Carton: 3.24Kg
3. Gross Weight / Carton: 5.38Kg



SMP TECHNOLOGY, INC.

DDR 4 SO DIMM Socket, 260 Position, 1.2Volt,
 Standard Orientation, 5.2mm Height, Type A

P/N: B030-2604-20XX-ZHF