

MATERIAL:

CONTACT PLATING: Au Flash on Contact Area, 50u" Nickel Subplate
 HOUSING: High Temp Thermo Plastic; LCP; Black; UL 94-V-0
 METAL LATCH: Stainless Steel SUS301

ENVIROMENTAL:

OPERATING TEMPERATURE:- 40 C +85 C
 STORAGE TEMPERATURE: - 40 C +85 C

ELECTRICAL:

CURRENT RATING :0.5A per Pin
 VOLATAGE RATING; 25 V AC/DC
 CONTACT RESISTANCE:60 mohms
 INSULATION RESISTANCE; 500M Ohms
 DIELECTRIC WITHSTANDING VOLTAGE:125 VAC

HOW TO ORDER:

B 0 3 0 - 2 0 4 3 - E 1 2 0 - Z

NUMBER OF CONTACTS:

204

KEY TYPE / VOLTAGE OPTION :

3 - 1.5 Volt

HEIGHT:
14.7mm

ORIENTATION:

1 - Reverse

PLATING OPTIONS:

2 - FULL Au FLASH

PACKAGING:

0 - Tray

RoHS COMPLIANT

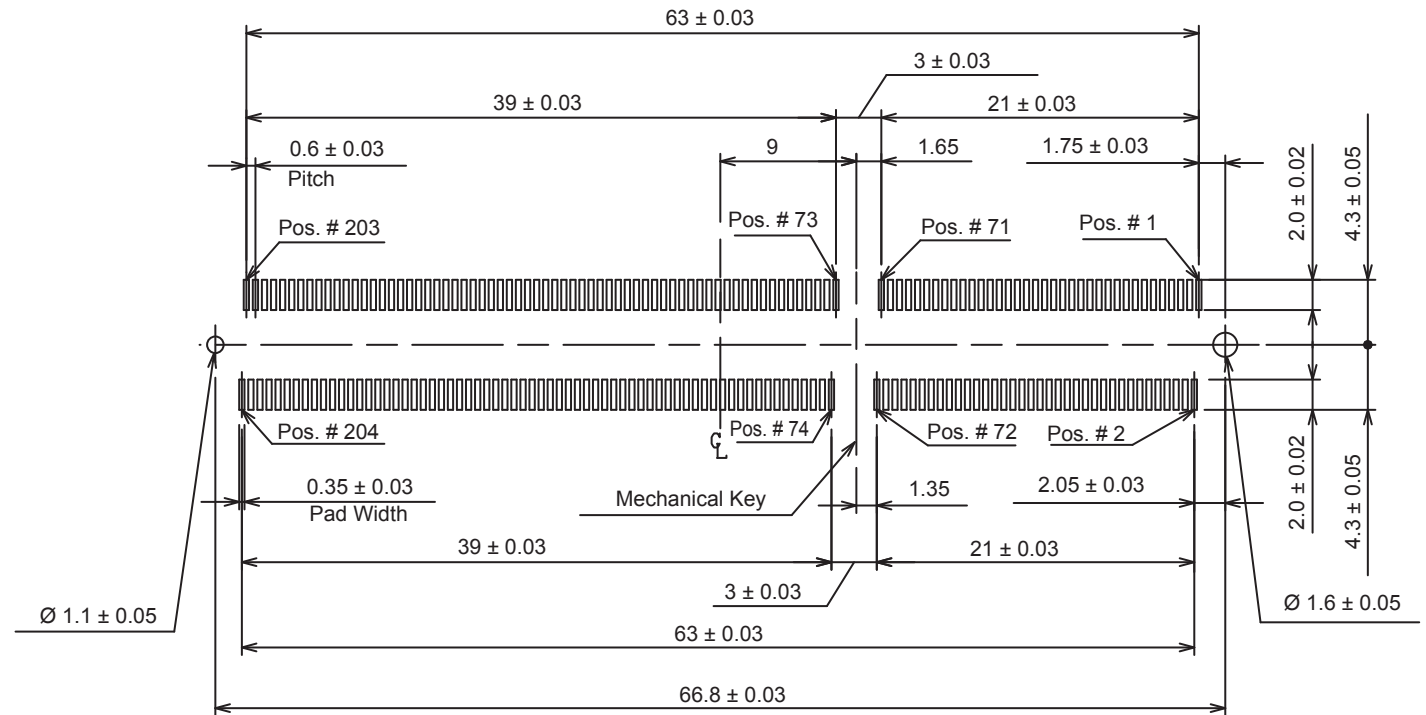
Rev	Description	Drawn	Checked	Approved	Date
0	Issued	B.S.	S.M.	S.M.	03/03/16

SMP TECHNOLOGY, INC.

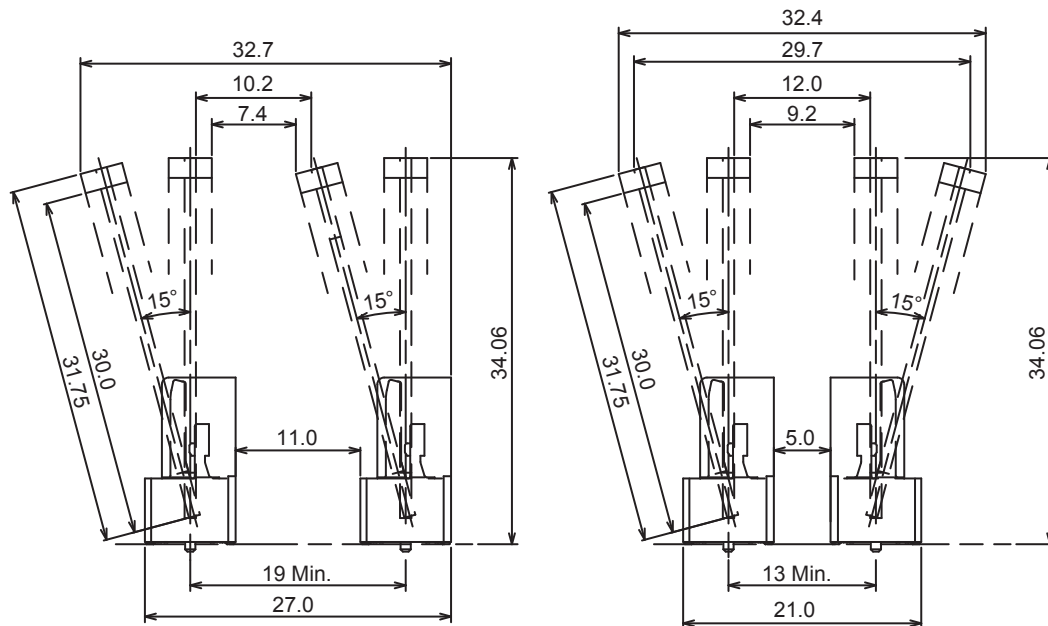
DDR 3 SO-DIMM Socket, Vertical, 1.5 Volt, 204 Position,
 Surface Mount, Reverse Orientation

TOL. DEC. .X +/- 0.25 .XX +/- 0.12 .XXX +/- ANGLE +/- UNIT: mm

P/N: B030-2043-E120-Z



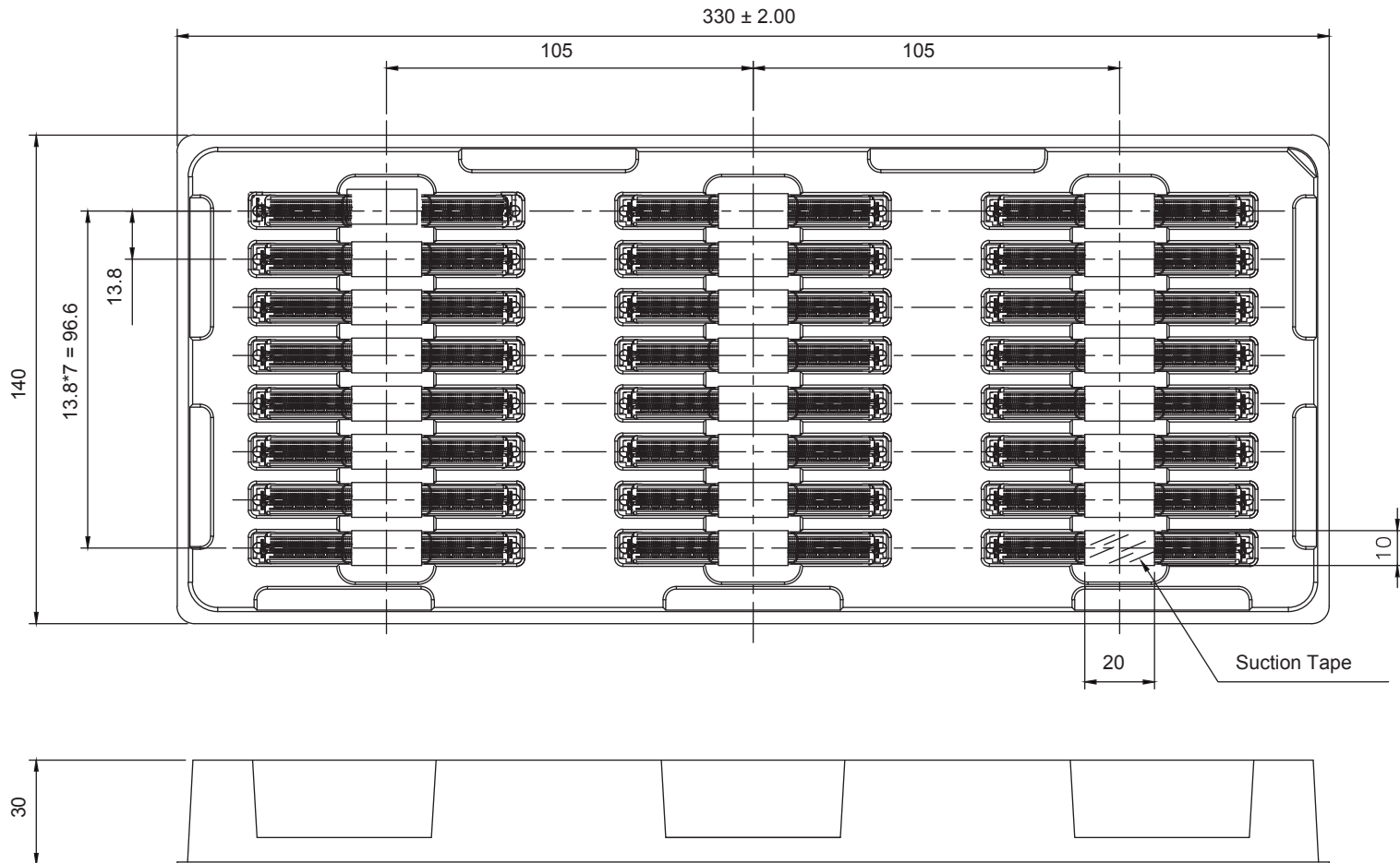
Recommended PCB Layout
(Component Side)



Standard / Standard
Orientation

Standard / Reverse
Orientation

SMP TECHNOLOGY, INC.	
DDR 3 SO-DIMM Socket, Vertical, 1.5 Volt, 204 Position,	
Surface Mount, Reverse Orientation	
P/N: B030-2043-E120-Z	Pg: 2 of 3



NOTE:
 8X3=24 PCS / TRAY
 6 TRAY / INNER BOX
 3 INNER BOX/ CARTON
 24X6X3=432 PCS/ CARTON

Packaging Configuration

SMP TECHNOLOGY, INC.
DDR 3 SO-DIMM Socket, Vertical, 1.5 Volt, 204 Position,
Surface Mount, Reverse Orientation