

**MATERIAL:**

CONTACT PLATING: Au Flash on Contact Area; 50u" Nickel Subplate  
 HOUSING: High Temp Thermo Plastic; LCP; Black; UL 94-V-0  
 METAL LATCH: Stainless Steel SUS301

**ENVIROMENTAL:**

OPERATING TEMPERATURE: - 40 C +85 C  
 STORAGE TEMPERATURE: - 40 C +85 C

**ELECTRICAL:**

CURRENT RATING :0.5A per Pin  
 VOLATAGE RATING; 25 V AC/DC  
 CONTACT RESISTANCE:60 mohms  
 INSULATION RESISTANCE; 500M Ohms  
 DIELECTRIC WITHSTANDING VOLTAGE:125 VAC

**HOW TO ORDER:**

B 0 3 0 - 2 0 4 3 - E 0 2 0 - Z

**NUMBER OF CONTACTS:**

204

**KEY TYPE / VOLTAGE OPTION :**

3 - 1.5 Volt

**HEIGHT:**  
14.7mm

**ORIENTATION:**  
0 - Standard

**PLATING OPTIONS:**

2 - FULL Au FLASH

**PACKAGING:**

0 - Tray

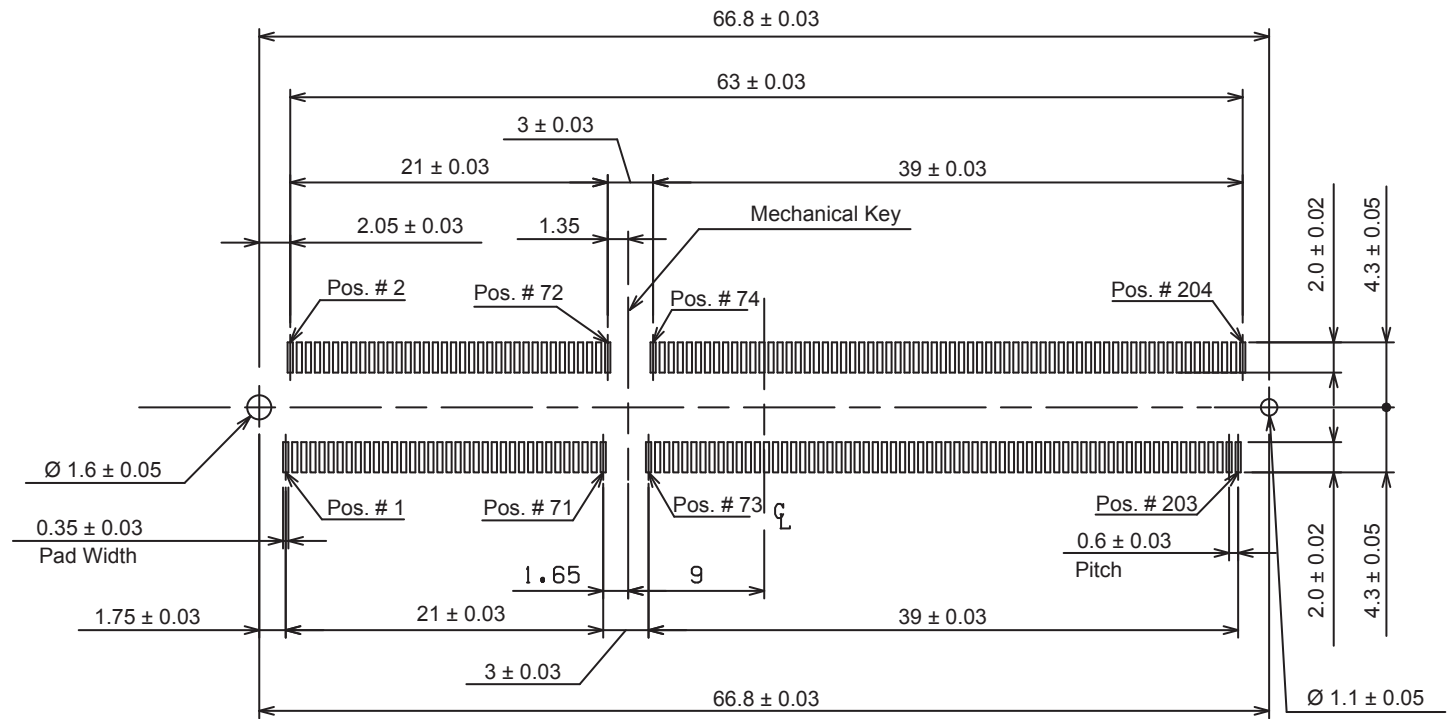
**RoHS**  
**COMPLIANT**

Rev	Description	Drawn	Checked	Approved	Date
0	Issued	B.S.	S.M.	S.M.	03/03/16

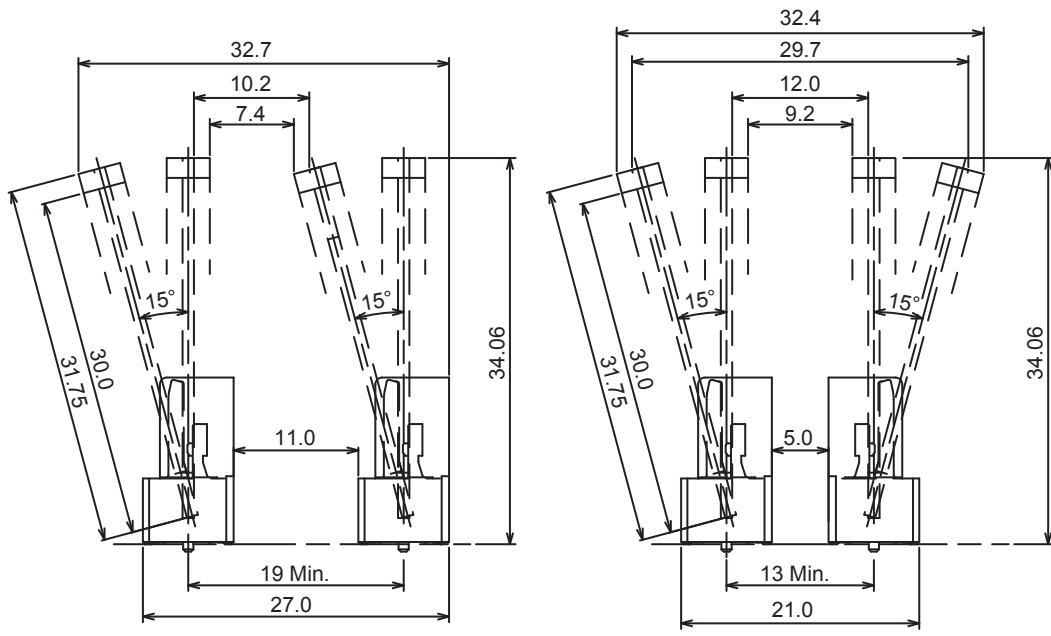
**SMP TECHNOLOGY, INC.**

DDR 3 SO-DIMM Socket, Vertical, 1.5 Volt, 204 Position,

Surface Mount, Standard Orientation



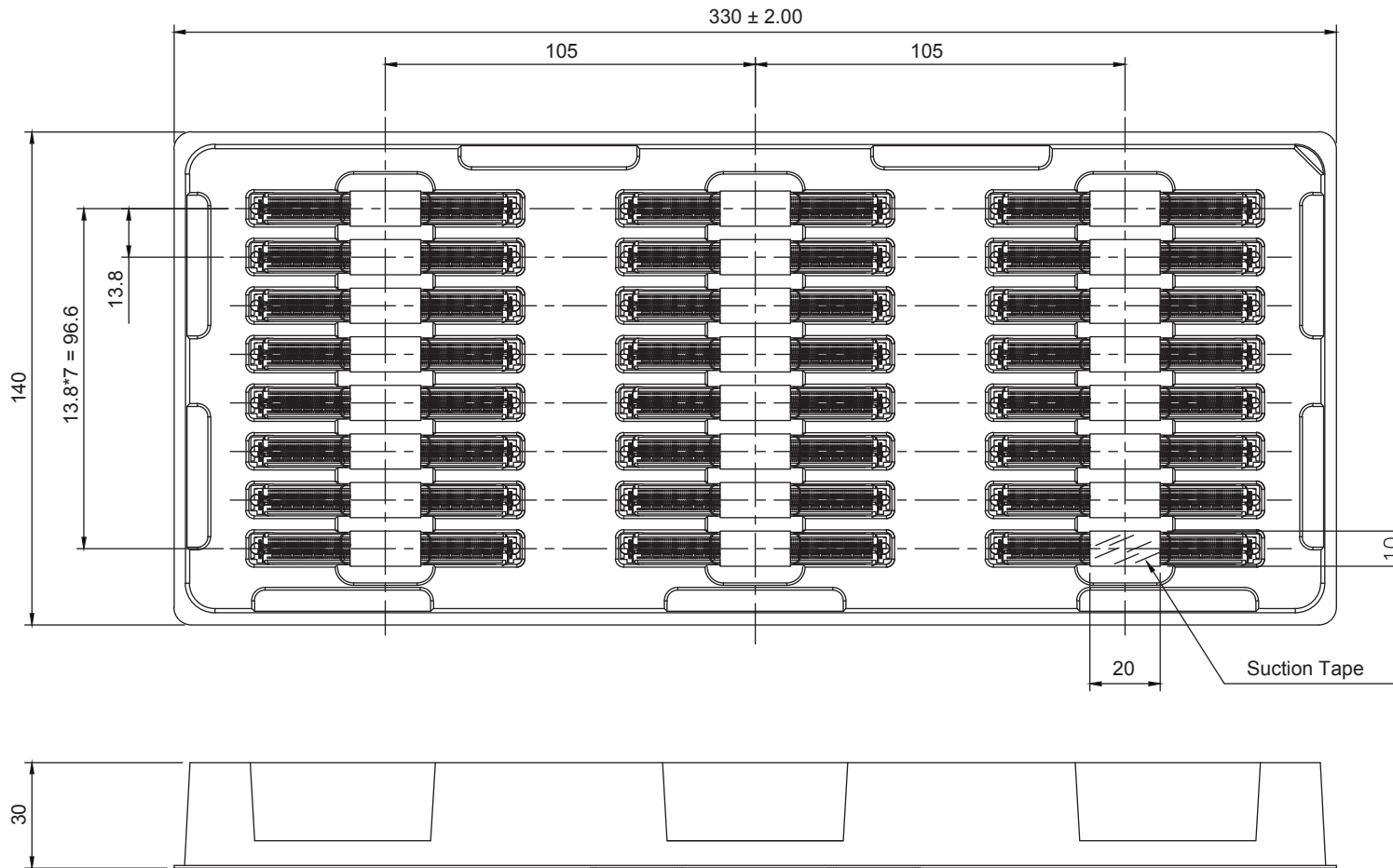
Recommended PCB Layout  
(Component Side)



Standard / Standard Orientation

Standard / Reverse Orientation

<b>SMP TECHNOLOGY, INC.</b>	
DDR 3 SO-DIMM Socket, Vertical, 1.5 Volt, 204 Position,	
Surface Mount, Standard Orientation	



NOTE:  
 8X3=24 PCS / TRAY  
 6 TRAY / INNER BOX  
 3 INNER BOX/ CARTON  
 24X6X3=432 PCS/ CARTON

Packaging Configuration

**SMP TECHNOLOGY, INC.**

DDR 3 SO-DIMM Socket, Vertical, 1.5 Volt, 204 Position,

Surface Mount, Standard Orientation