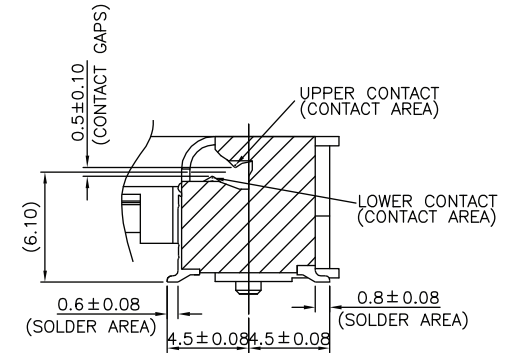
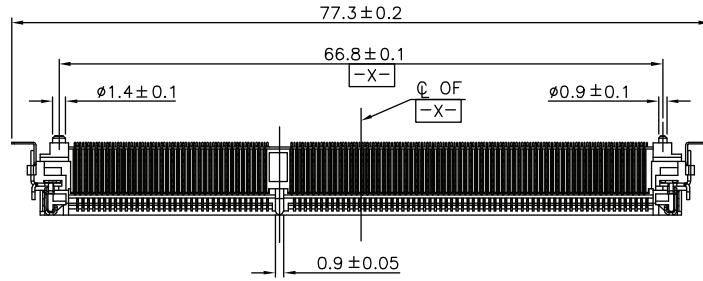
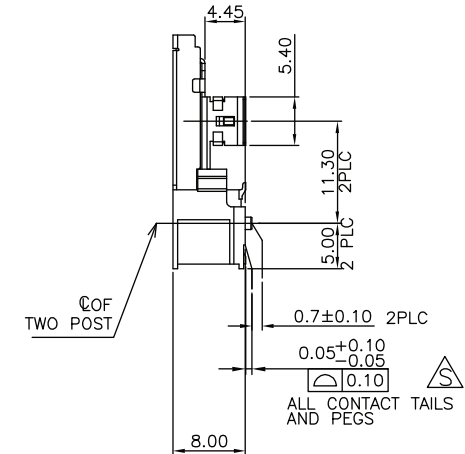
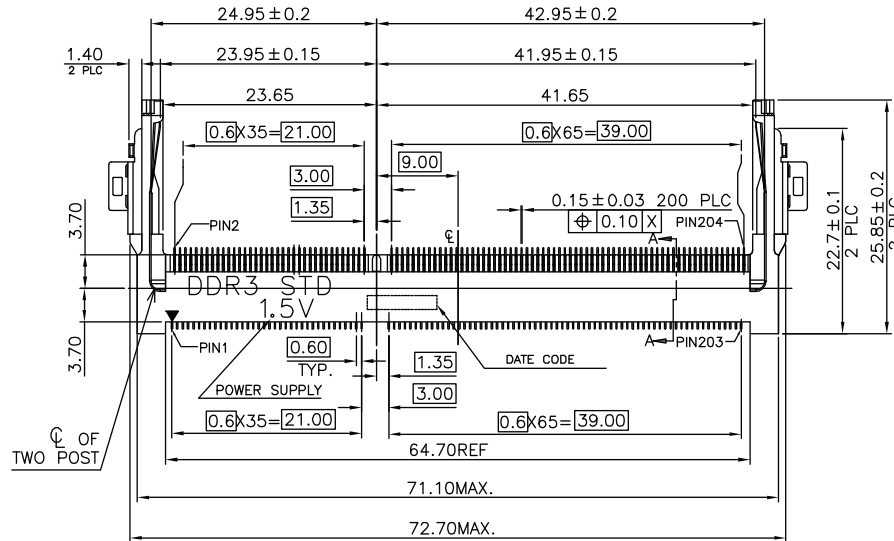


NOTES:

1. Recommended Reflow Temperature 260°C (5 Sec.)
2. Voltage Rating: 25 VAC
3. Current Rating: 0.5 A
4. Temperature Rating: -55 C to 85 C



CROSS SECTIONAL A-A



HOW TO ORDER:

B 0 3 0 - 2 0 4 3 - D 0 X X - Z

NUMBER OF CONTACTS: 204

HEIGHT OPTION: D - 8.0mm

ORIENTATION: 0 - Standard

PLATING OPTIONS: 2 - Au FLASH, 6 - 15u" Au

PACKAGING: 0 - Tray, 1 - Tape & Reel (Normal), 2 - Tape & Reel (Reverse)

RoHS COMPLIANT

KEY TYPE / VOLTAGE OPTION : 3 - 1.5V TYPE

MATERIAL:

CONTACT PLATING: Specified Au Thickness in Contact Area
 Au Flash on Solder Tails; 50u" Nickel Sub Plate
 Nickel Sub Plate (80"m min)
 HOUSING: High Temp Thermo Plastic UL94V-0, Black
 METAL LATCH: Stainless Steel
 FLOATING LATCH: Stainless Steel
 FIXED LATCH: Stainless Steel
 CONTACT: Copper Alloy

Rev	Description	Drawn	Checked	Approved	Date
0	Issued	B.S.	S.M.	S.M.	09/02/10

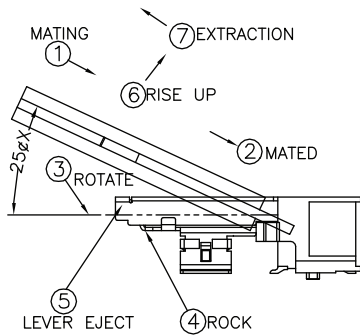
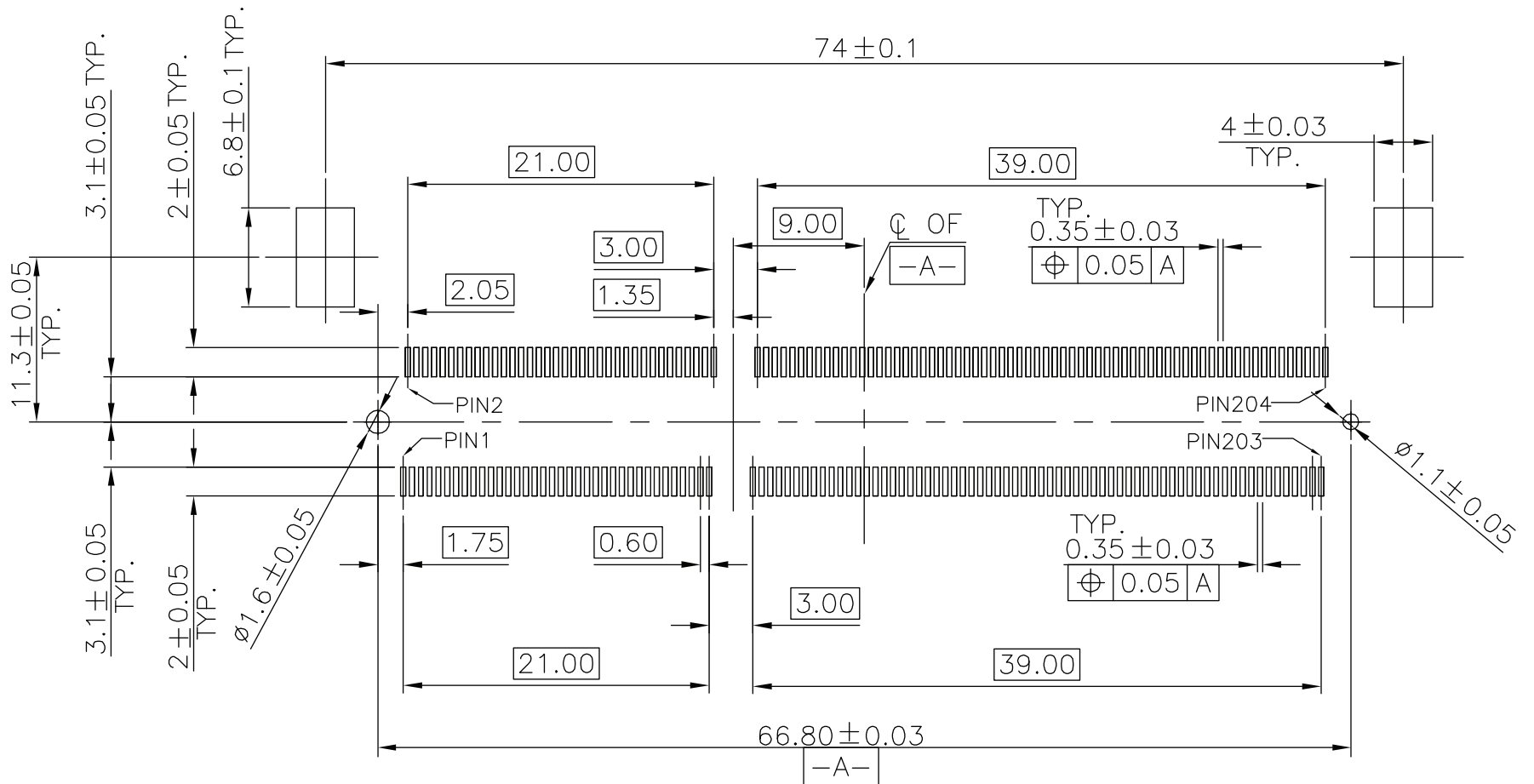
SMP TECHNOLOGY, INC.

DDR SO DIMM Socket, 204 Position, 1.5 Volt

Standard Orientation, Right Angle, 8.0mm Height, Type 2

TOL. DEC. .X +/- 0.40 .XX +/- 0.25 .XXX +/- 0.15 .XXXX +/- 0.05 ANGLE +/- 3° UNIT: mm

P/N: B030-2043-D0XX-Z



HOW TO MATE AND UNMATE

- MATE: ① → ④
 UNMATE: ⑤ → ⑦

RECOMMENDED PCB LAYOUT
 THICKNESS: 1.6 ± 0.05mm

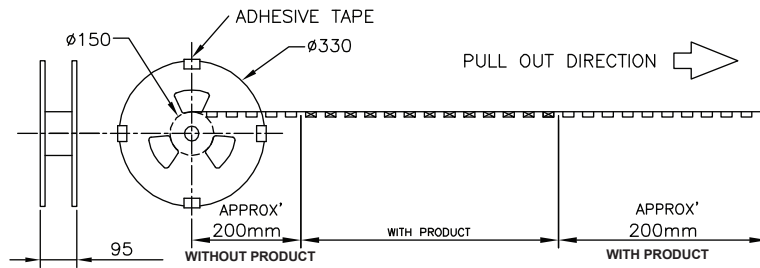
SMP TECHNOLOGY, INC.

DDR SO DIMM Socket, 204 Position, 1.5 Volt

Standard Orientation, Right Angle, 8.0mm Height, Type 2

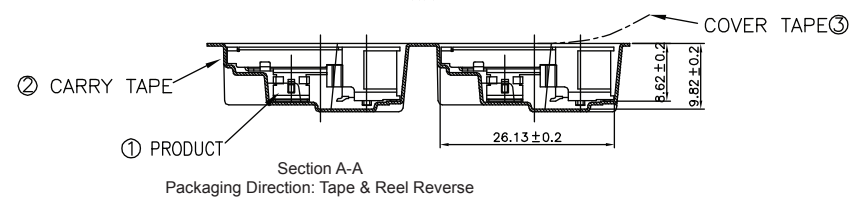
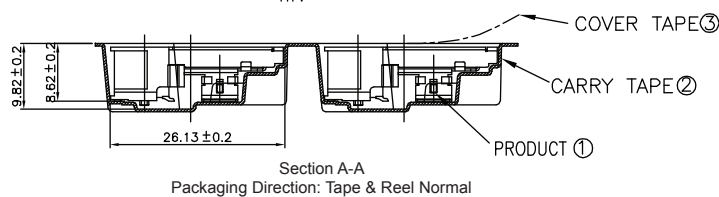
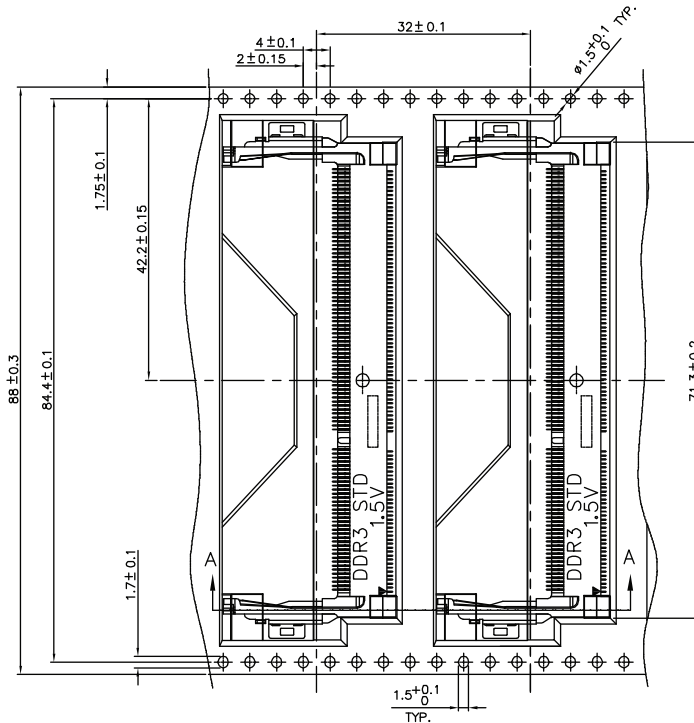
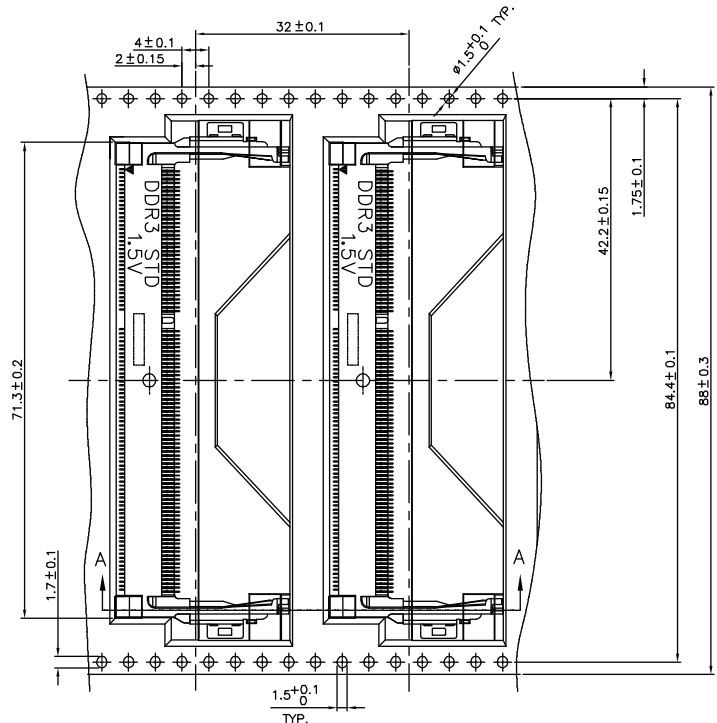
P/N: B030-2043-D0XX-Z

Pg: 3 of 5



NOTES:

1. PACKAGING MATERIAL IN PLASTIC, RUBBER, INK, PIGMENT AND MUST MEET CONTROLLED SUBSTANCES SPEC PER WI-PB-22.
 * CADMIUM AND CADMIUM COMPOUNDS NOT TO EXCEED : 5 PPM.
 * LEAD, CADMIUM, CHROM VI AND MERCURY NOT TO EXCEED : 100 PPM (COMBINED)
2. CARRIER TAPES, COVER TAPES, REELS AND TAPED COMPONENTS MUST MEET THE REQUIREMENTS DEFINED PER EIA-481-B.
3. DIMENSION :
 3.1 REEL : H = 95, $\phi A = 330$
 3.2 SHIPPING CARTON : L = 335, W = 335, H = 248
4. QUANTITY :
 4.1 PRIMARY PACKAGING : 150PCS / REEL
 4.2 SECONDARY PACKAGING : 2 REELS / CARTON (300PCS)
5. WEIGHT :
 5.1 NET WEIGHT : 1.58Kg / REEL, 3.16 Kg / CARTON.
 5.2 GROSS WEIGHT : 2.03 Kg / REEL, 4.05 Kg / CARTON
6. PEELING RESISTANCE : 0.1~0.7N (10.2gf ~ 71.4gf)
7. PEELING SPEED : 300mm / MINUTE.

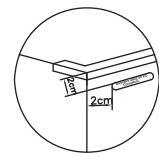
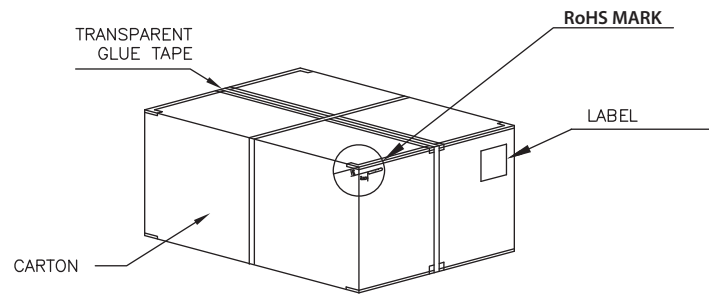
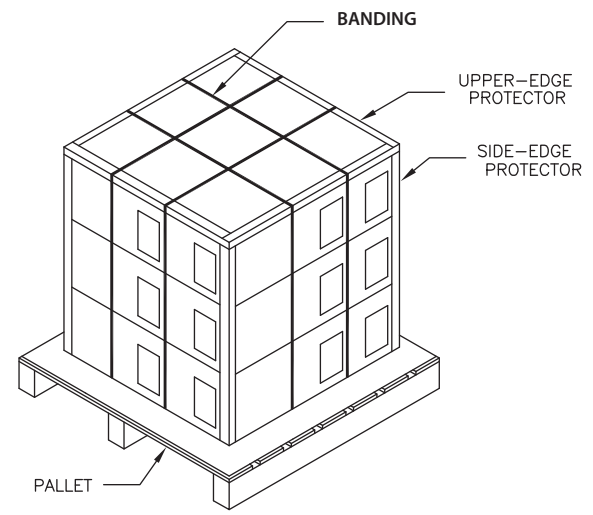
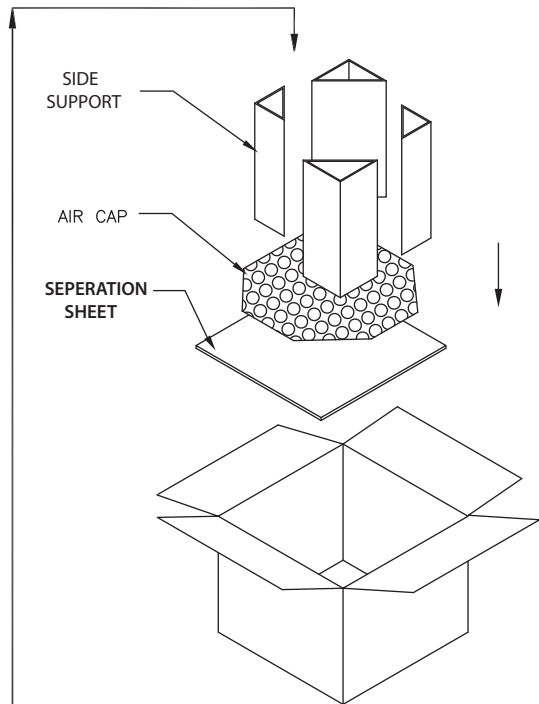
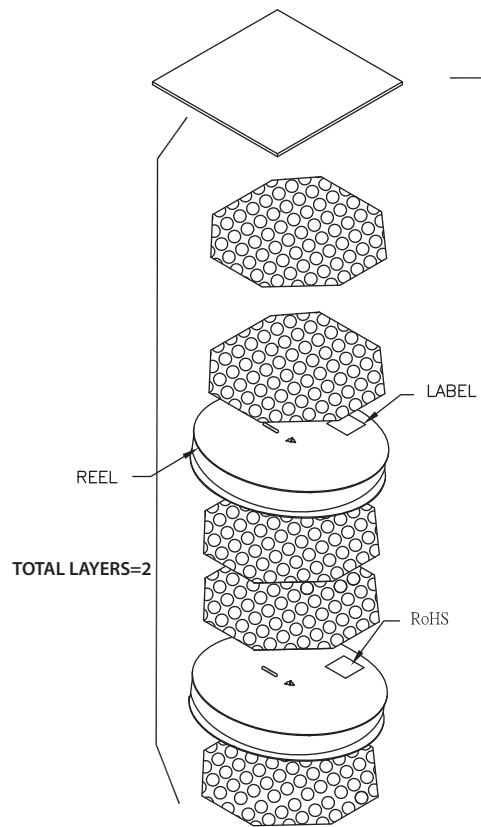


SMP TECHNOLOGY, INC.

DDR SO DIMM Socket, 204 Position, 1.5 Volt

Standard Orientation, Right Angle, 8.0mm Height, Type 2

P/N: B030-2043-D0XX-Z



SMP TECHNOLOGY, INC.

DDR SO DIMM Socket, 204 Position, 1.5 Volt

Standard Orientation, Right Angle, 8.0mm Height, Type 2