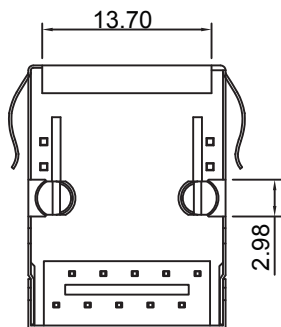
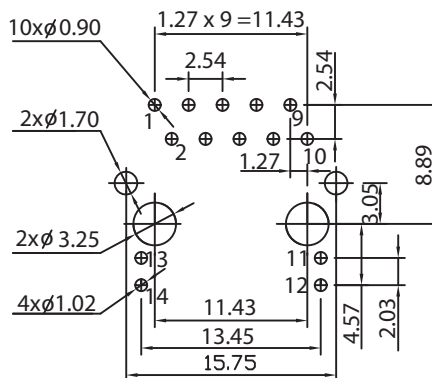
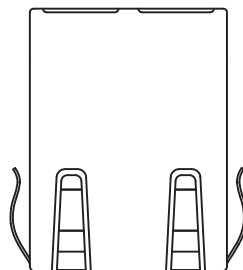


LED SCHEMATIC

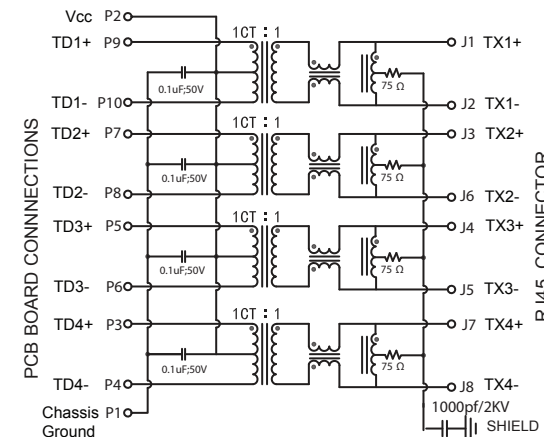
Insertion Loss	0.5 ~ 100 Mhz.	- 1.1db Max.
Return Loss	0.5 ~ 40 Mhz.	- 18 db Min.
	40 ~ 100 Mhz.	- 12-20LOG (f/50)
Crosstalk	0.5 ~ 40 Mhz.	- 35 db Min.
	1~ 100 Mhz.	- 33-20LOG (f/50)
Common Mode Rejection	0.5 ~ 100 Mhz.	- 30 db Min.
Isolation voltage	1500 Vrms	
DC Current /Voltage Rating	0.1 A Max@48 VDC (Continuous)	
OCL	350 uH Min@100 Khz/0.1V with 8mADC Bias	
Turns Ratio (+/- 2%)	Tx 1Ct:1Ct Rx=1Ct:1Ct	



MEETS IEEE 802.3 SPECIFICATION



PCB LAYOUT (Top View)



SCHEMATIC DIAGRAM

HOW TO ORDER:

A 3 0 1 2 - 0 1 S - S T 2 - X 0 D1 - 5 5 T I - Z

TABS:
ST - SPRING TABS

SPRING TAB LOCATION:
2 - SPRING TAPS ON TOP & 2 ST/ SIDES

SELECTIVE PLATING:
6 - Au CONTACT AREA/TIN TAIL
7 - 10u" Au CONTACT AREA/TIN TAIL
8 - 15u" Au CONTACT AREA/TIN TAIL
9 - 30u" Au CONTACT AREA/TIN TAIL

PCB GROUND TAB LOCATION:
D1 - BACK, 3.05mm, FRONT LED INLINE

LED 1: **LED 2:** **RoHS COMPLIANT**

TRANSFORMER TYPE:
TI
See Schematic Above

ELECTRICAL:

VOLTAGE RATING: 120V AC
CURRENT RATING: 1.5A Min.
CONTACT RESISTANCE:
< 20 Milliohm Max.
INSULATION RESISTANCE:
> 500 Megaohm Min.
DIELECTRIC WITHSTANDING VOLTAGE:
1000V (rms) AC for 1 Minute Min.
OPERATING TEMPERATURE: 0° C to +70° C

MATERIAL:

INSULATOR: PBT Glass Filled (UL94V-0)
CONTACT: 0.35mm Thickness Phosphor Bronze
CONTACT PLATING: Gold Plating over Nickel

Rev	Drawn	Checked	Approved	Date	
0	Issued	B.S.	S.M.	S.M.	01/19/17

SMP TECHNOLOGY, INC.

RJ45 Jack, Gigabit, Thru Hole, LED's, EMI Tabs on Top & Sides

SCALE: N/A

TOL. DEC. .X +/- 0.25 .XX +/- 0.20 .XXX +/- 0.05 ANGLE +/- 1° UNIT: mm

P/N: A3012-01S-ST2-X0D1-55TI-Z

Pg: 1